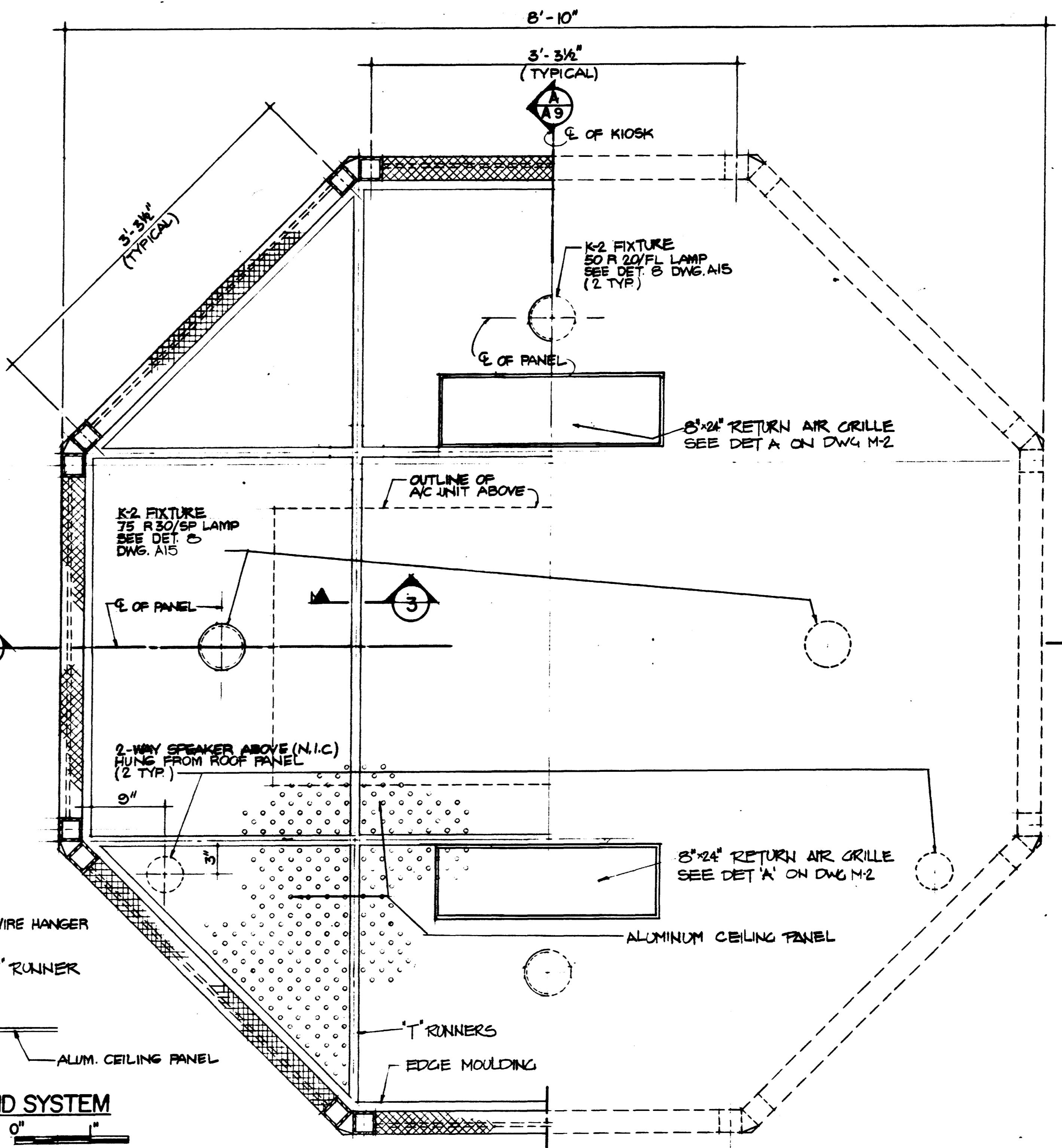
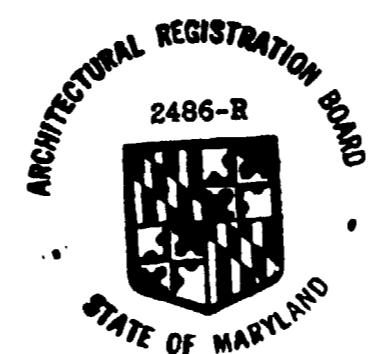


1 FLOOR PLAN
SCALE: 1/2" = 1'-0"



2 PARTIAL REFLECTED CEILING PLAN
SCALE: 1/2" = 1'-0"

3 DET. CEILING GRID SYSTEM
SCALE: 1" = 1'



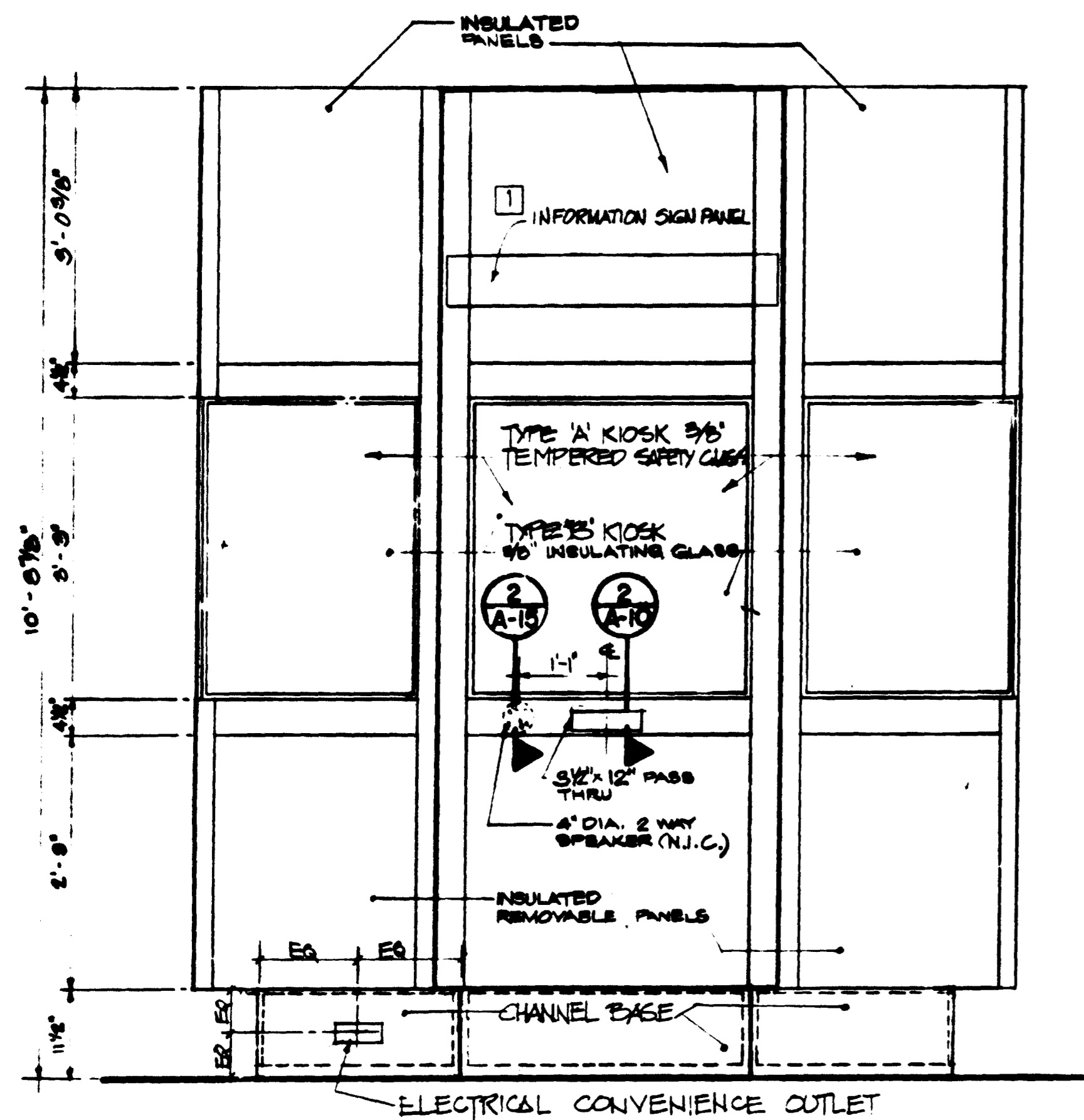
WASHINGTON METROPOLITAN AREA TRANSIT AUTHORITY
AS-BUILT CONDITION
BY: Stanley M. Allan
DATE: FEB 03 1981
RESIDENT ENGINEER

DESIGNED	H.W.A.	1-30-76	REFERENCE DRAWINGS		REVISIONS	
			NUMBER	DESCRIPTION	DATE	BY
DRAWN	RMR	1-30-76				
CHECKED	[Signature]	4-13-76				
APPROVED	[Signature]	4-13-76				

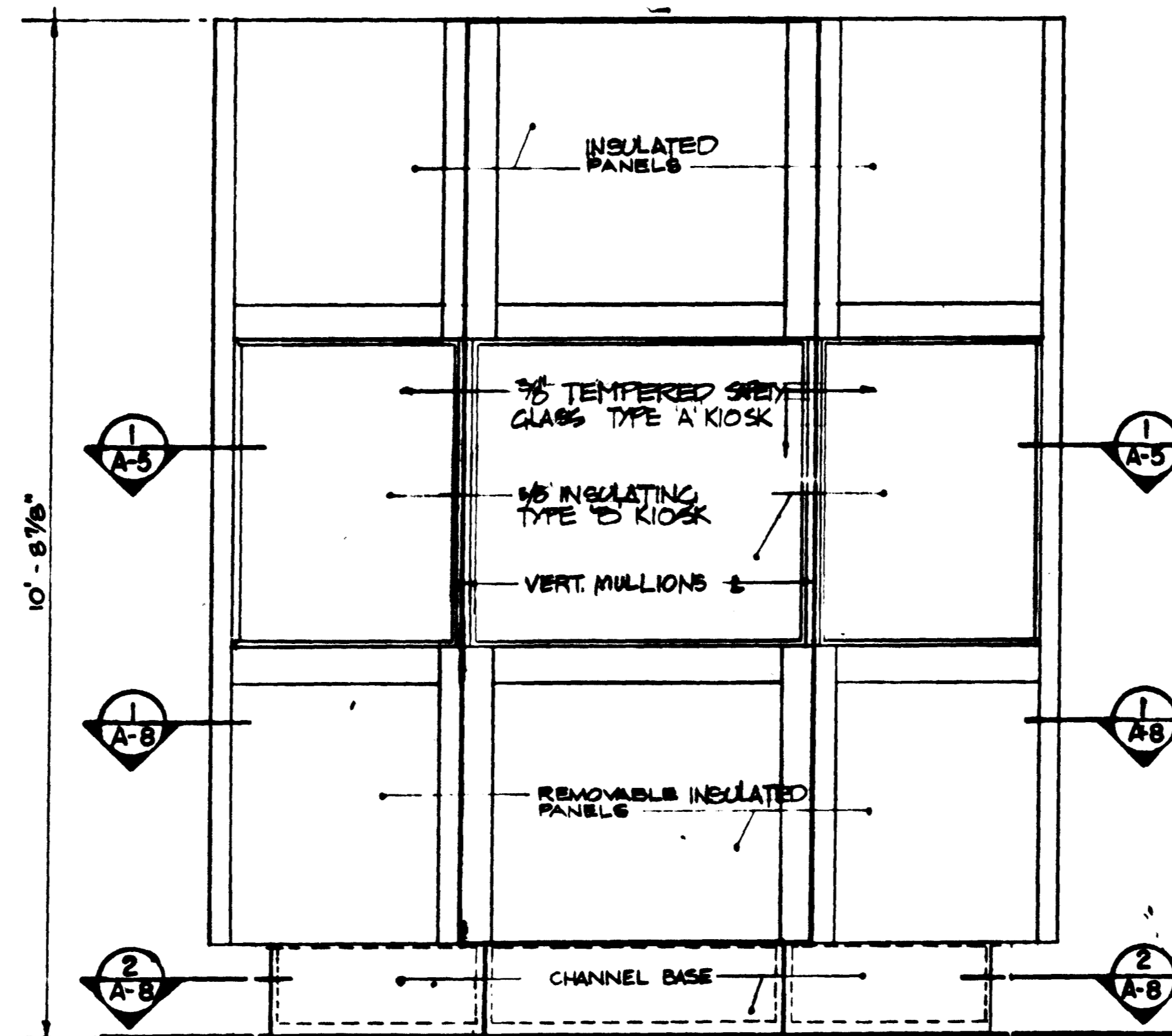
STANLEY M. ALLAN
DIST. OF COLUMBIA
CERTIFICATE
No. A-2077

WASHINGTON METROPOLITAN AREA TRANSIT AUTHORITY
HARRY WEESE & ASSOCIATES, LTD.
GENERAL ARCHITECTURAL CONSULTANT
DE LEUW, CATHER & COMPANY
GENERAL ENGINEERING CONSULTANT
HARRY WEESE & ASSOCIATES
GENERAL ARCHITECTURAL CONSULTANT
SUBMITTED: Stanley M. Allan 4/15/76
APPROVED: Stanley M. Allan 4/15/76

KIOSK
FLOOR & REFLECTED CEILING PLANS
SCALE: AS NOTED
DRAWING NO. K111-A-5
M 256-6

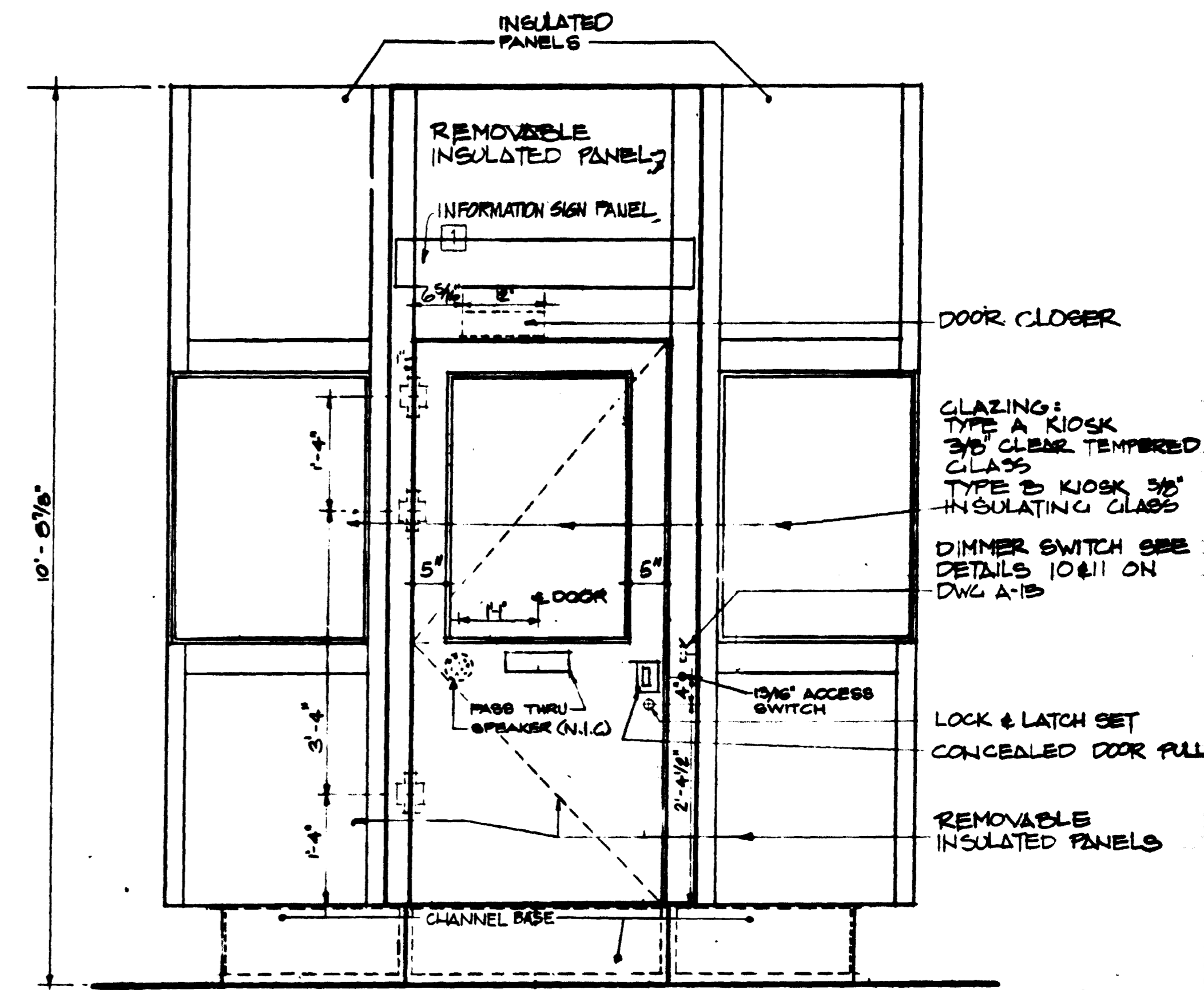


ELEVATION A



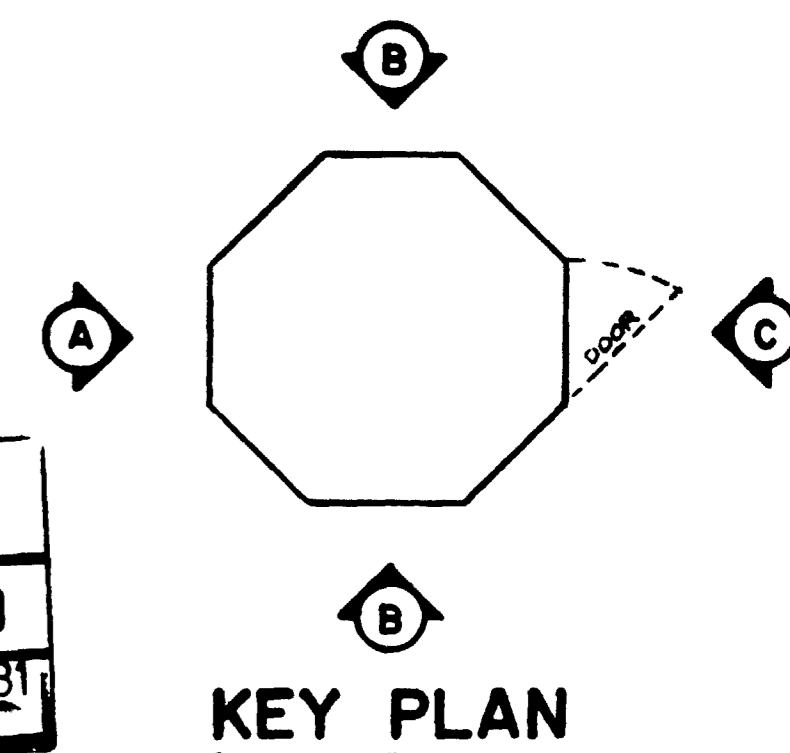
ELEVATION B

(OPPOSITE FACE - THE SAME)
 NOTE:
 VERTICAL MULLIONS OMITTED
 TYPE 'A' KIOSK.

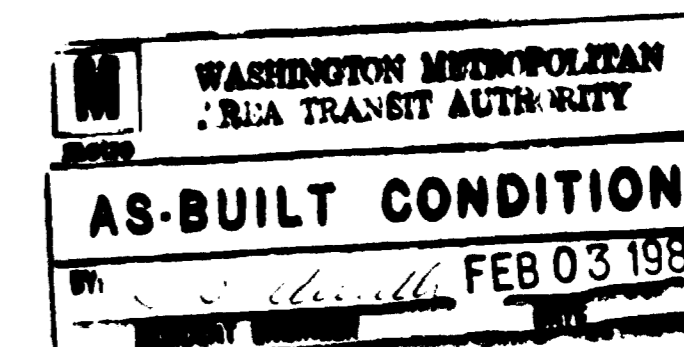


ELEVATION C

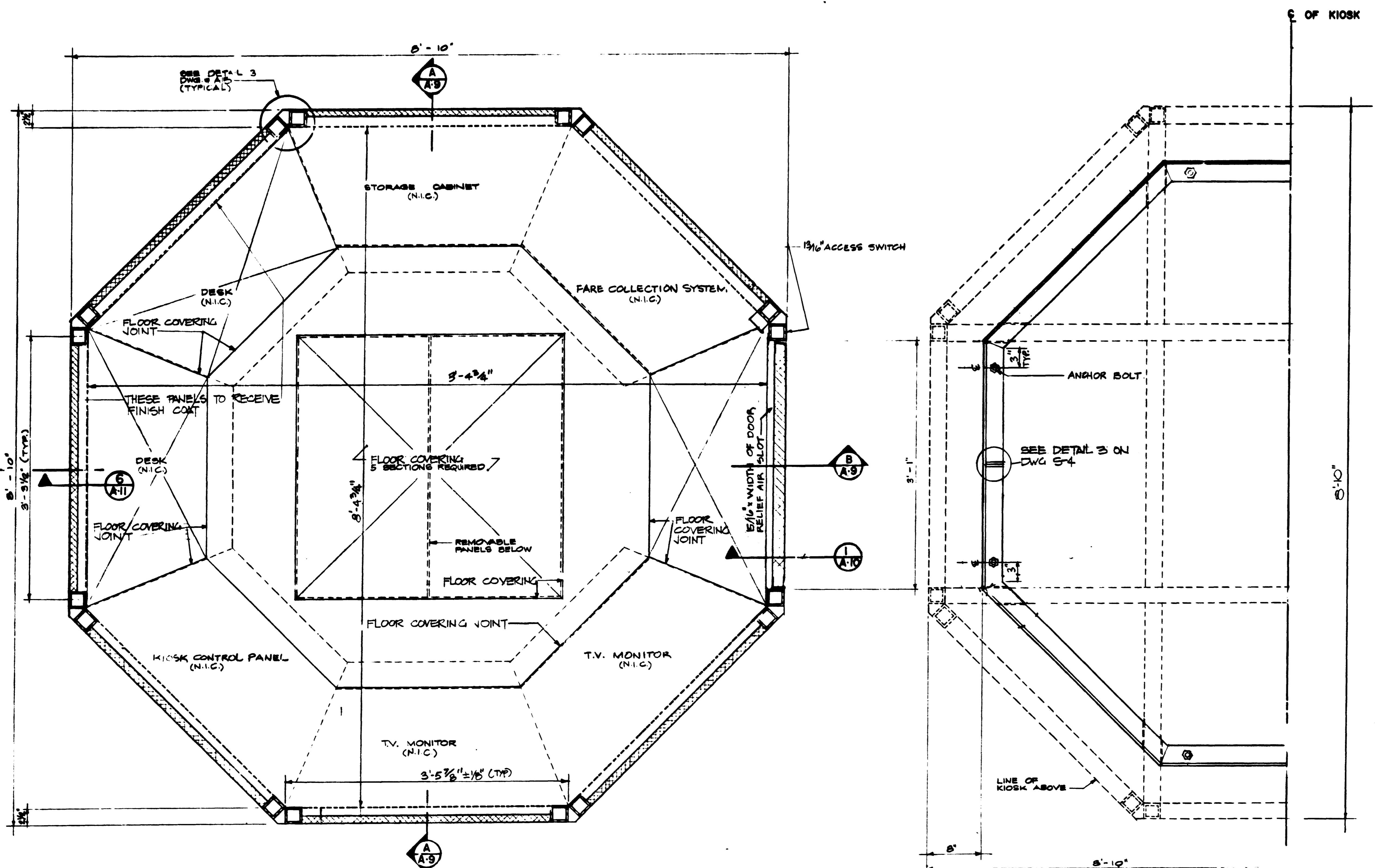
NOTE:
 FOR DOOR DETAILS,
 SEE DWG. # A-10



KEY PLAN



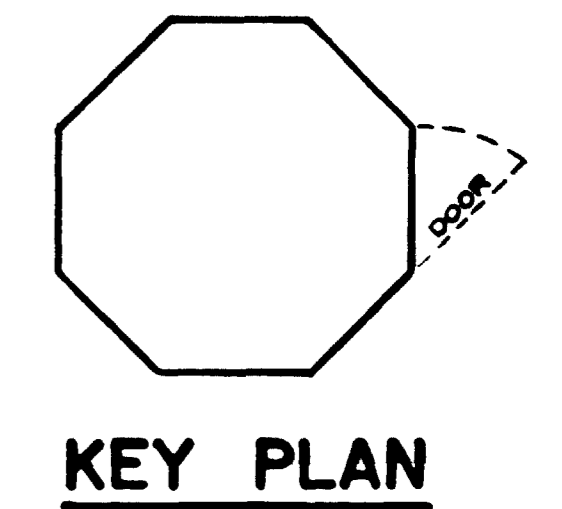
DESIGNED HWA DATE 3-21-74	REFERENCE DRAWINGS	REVISIONS	STANLEY N. ALLAN DIST. OF COLUMBIA CERTIFICATE No. A-2077	WASHINGTON METROPOLITAN AREA TRANSIT AUTHORITY		KIOSK ELEVATIONS	SCALE 3/8" = 1'-0" DRAWING NO. K III - A6 M-256-7		
DRAWN R.M.R. DATE 2-16-75	NUMBER	DESCRIPTION		DATE	BY			DESCRIPTION	DE'LEUW, CATHER & COMPANY GENERAL ENGINEERING CONSULTANT HARRY WEESE & ASSOCIATES GENERAL ARCHITECTURAL CONSULTANT
CHECKED [Signature]									
APPROVED [Signature]									



① PLAN BELOW SILL

② PLAN AT BASE

WASHINGTON METROPOLITAN
AREA TRANSIT AUTHORITY
AS-BUILT CONDITION
FEB 03 1981



DESIGNED	HWA	3-25-74
DRAWN	RMR	4-8-76
CHECKED	JL	4-13-76
APPROVED	Stanley	4-13-76

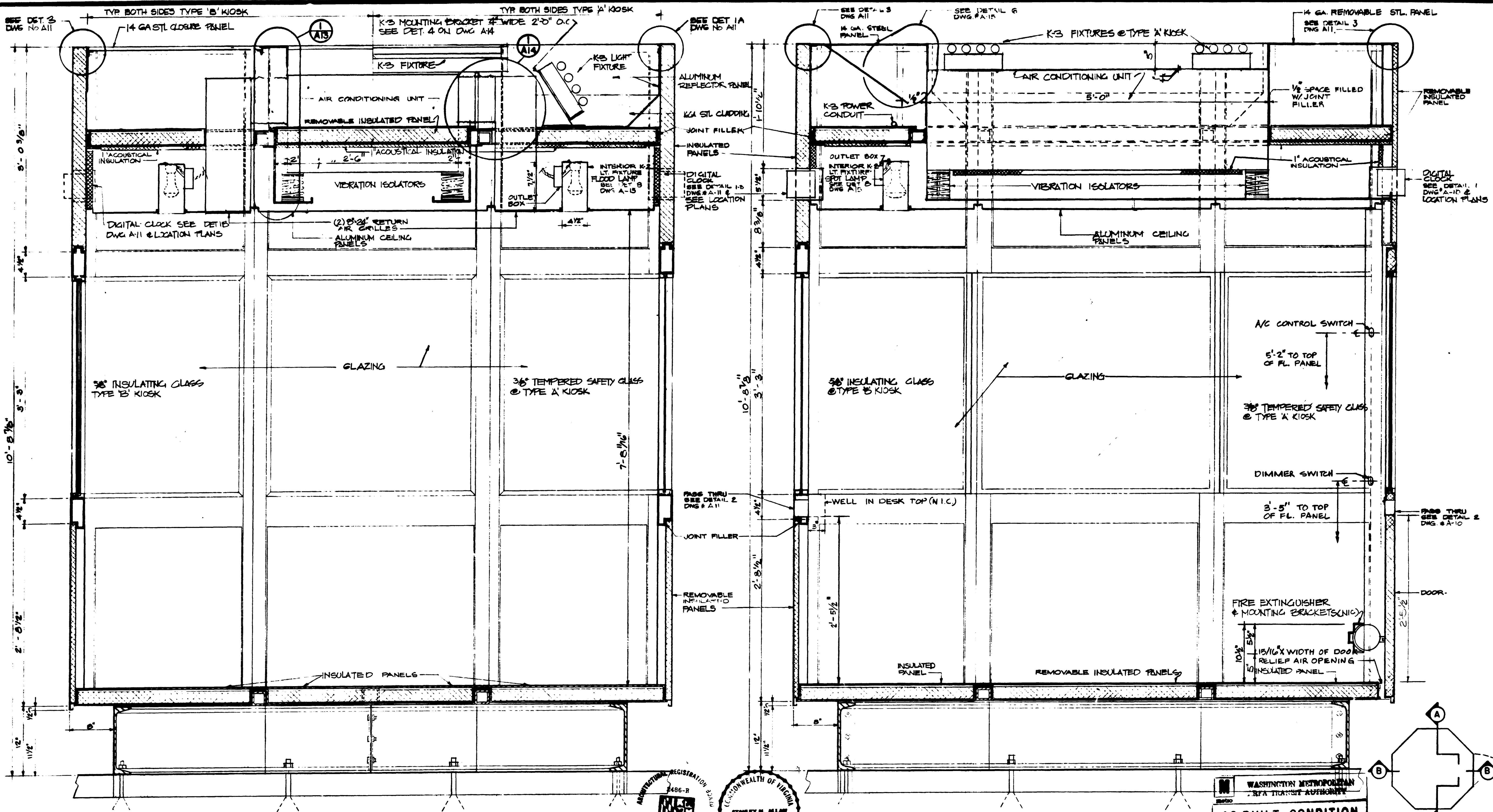
REFERENCE DRAWINGS	
NUMBER	DESCRIPTION

REVISIONS		
DATE	BY	DESCRIPTION

STANLEY N. ALLAN
DIST. OF COLUMBIA
CERTIFICATE
No. A-2077

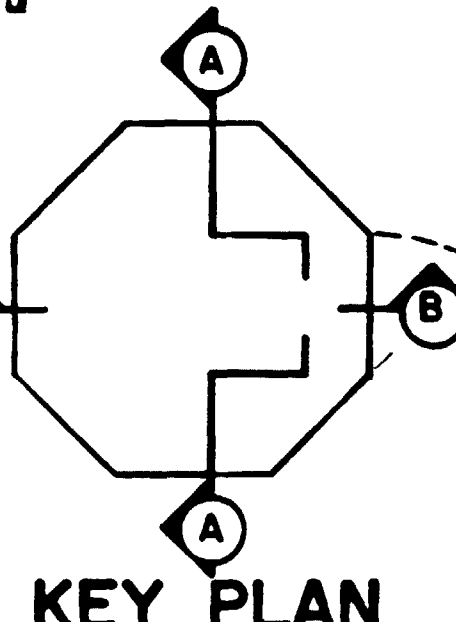
WASHINGTON METROPOLITAN AREA TRANSIT AUTHORITY
HARRY WESE & ASSOCIATES
GENERAL ARCHITECTURAL CONSULTANTS
SUBMITTED *Stanley Allan* 4/13/76
DE LEUW, CATHAR & COMPANY
GENERAL ENGINEERING CONSULTANT
HARRY WESE & ASSOCIATES
GENERAL ARCHITECTURAL CONSULTANT
APPROVED *Stanley Allan* 4/13/76

KIOSK
PLAN AT BASE AND BELOW WINDOW
SCALE 1/2" = 1'-0"
DRAWING NO. K-III-A8
M-256-9

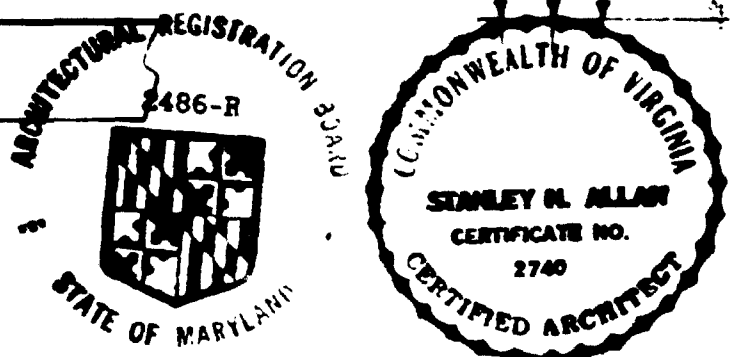


SECTION A-A

SECTION B-B



KEY PLAN

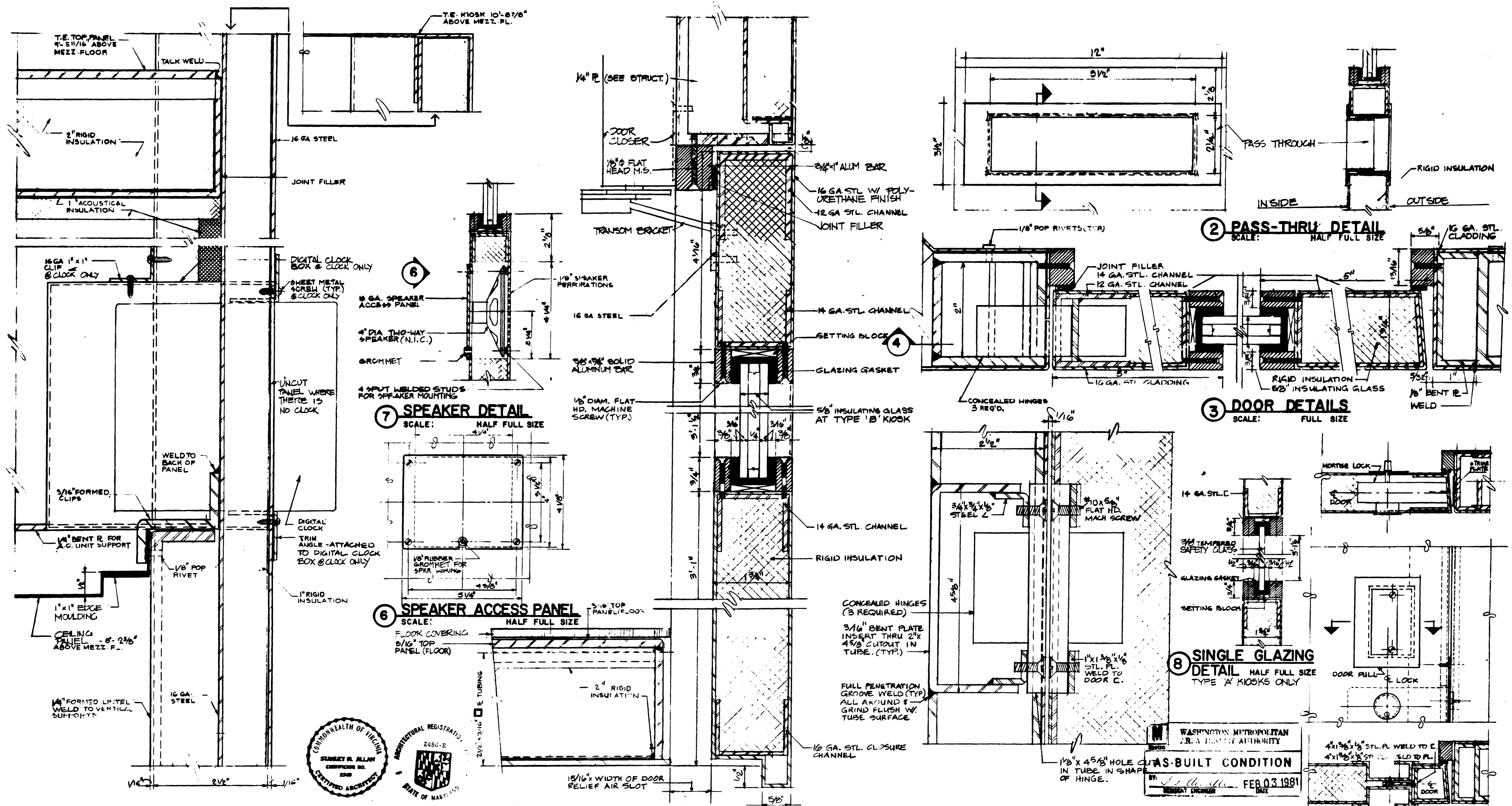


WASHINGTON METROPOLITAN
 AREA TRANSIT AUTHORITY
AS-BUILT CONDITION
 FEB 03 1981
 BY: *Stanley N. Allan*
 RESIDENT ENGINEER

DESIGNED			REFERENCE DRAWINGS			REVISIONS			WASHINGTON METROPOLITAN AREA TRANSIT AUTHORITY			KIOSK SECTIONS		
DATE	NUMBER	DESCRIPTION	DATE	BY	DESCRIPTION	DATE	BY	DESCRIPTION	DESIGNED	CHECKED	APPROVED	SCALE	DRAWING NO.	PROJECT NO.
3-20-74									HWA	RMR	Stanley N. Allan	1/2" = 1'-0"	K-III-A9	M-256-10
4-8-76														
4-13-76														
4-13-76														

HARRY WEESE & ASSOCIATES
 GENERAL ARCHITECTURAL CONSULTANT
 SUBMITTED *Stanley N. Allan* 4/15/76
 APPROVED *Stanley N. Allan* 4/15/76

DE LEUW, CATHER & COMPANY
 GENERAL ENGINEERING CONSULTANT
HARRY WEESE & ASSOCIATES
 GENERAL ARCHITECTURAL CONSULTANT
 APPROVED *Stanley N. Allan* 4/15/76



1 DOOR SECTIONS
SCALE: FULL SIZE

2 PASS-THRU DETAIL
SCALE: HALF FULL SIZE

3 DOOR DETAILS
SCALE: FULL SIZE

8 SINGLE GLAZING DETAIL
SCALE: HALF FULL SIZE
TYPE 'A' KIOSKS ONLY

4 DOOR HINGE DETAIL
SCALE: FULL SIZE

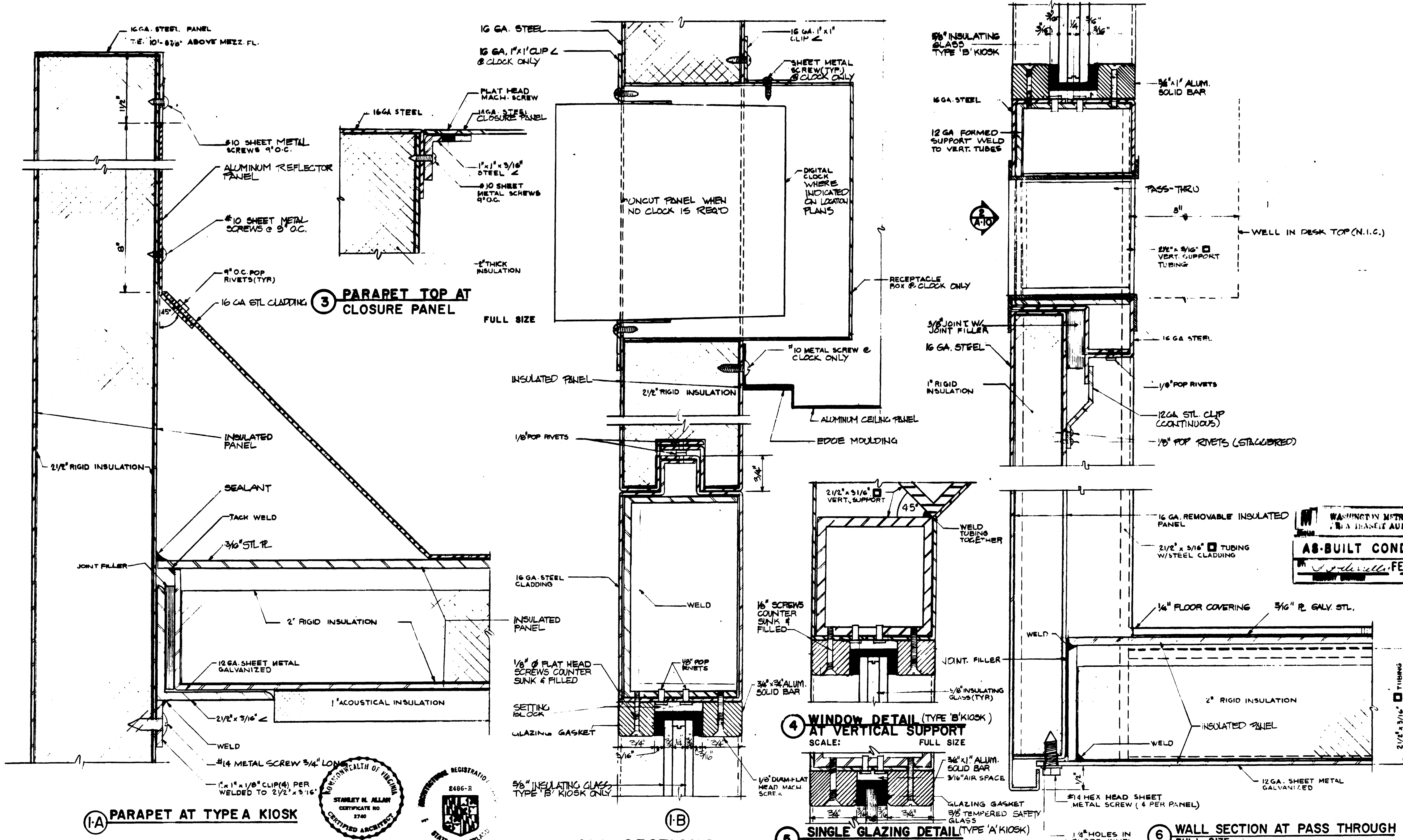
5 DOOR PULL & LOCK DETAIL
SCALE: HALF FULL SIZE

DESIGNED	DATE	REFERENCE DRAWINGS		REVISIONS	
		NUMBER	DESCRIPTION	DATE	BY
NWA	3-21-74				
DRAWN	4-17-76				
CHECKED	4-13-76				
APPROVED	4-13-76				

STANLEY N. ALLAN
DIST. OF COLUMBIA
CERTIFICATE
No. A-2077

WASHINGTON METROPOLITAN AREA TRANSIT AUTHORITY
HARRY WEESE & ASSOCIATES
GENERAL ARCHITECTURAL CONSULTANT
SUBMITTED: Stanley Allan 4/15/76
APPROVED: Stanley Allan 4/15/76

WASHINGTON METROPOLITAN AREA TRANSIT AUTHORITY
KIOSK
DOOR SECTIONS & DETAILS
SCALE: 1/2" = 1'-0"
1" = 1'-0"
DRAWING NO. KIII-A10
M-256-11

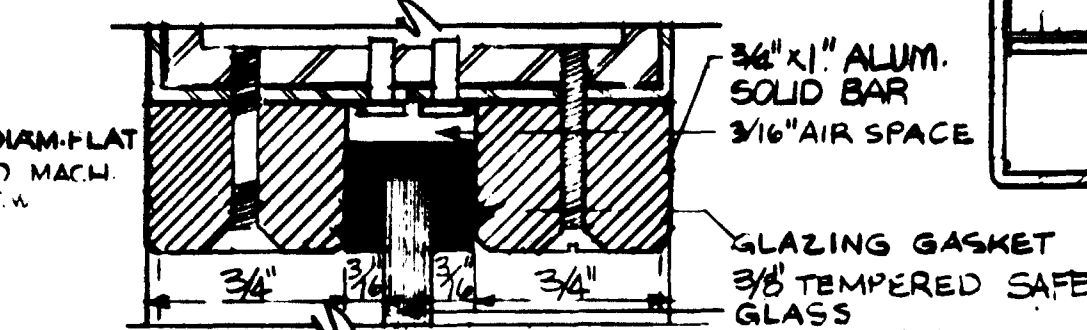


1-A PARAPET AT TYPE A KIOSK

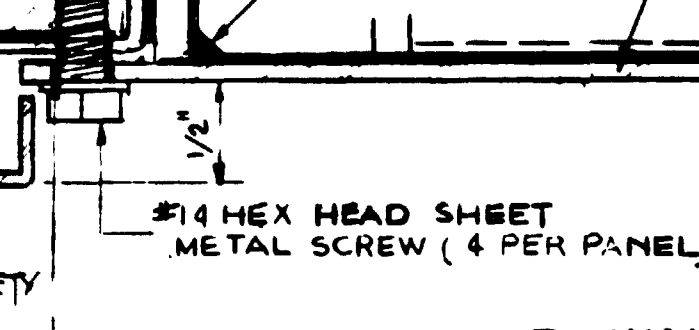


1 WALL SECTIONS
SCALE: FULL SIZE

4 WINDOW DETAIL (TYPE 'B' KIOSK) AT VERTICAL SUPPORT
SCALE: FULL SIZE



5 SINGLE GLAZING DETAIL (TYPE 'A' KIOSK) AT VERTICAL SUPPORT
SCALE: FULL SIZE



WASHINGTON METROPOLITAN AREA TRANSIT AUTHORITY
AS-BUILT CONDITION
FEB 03 1981

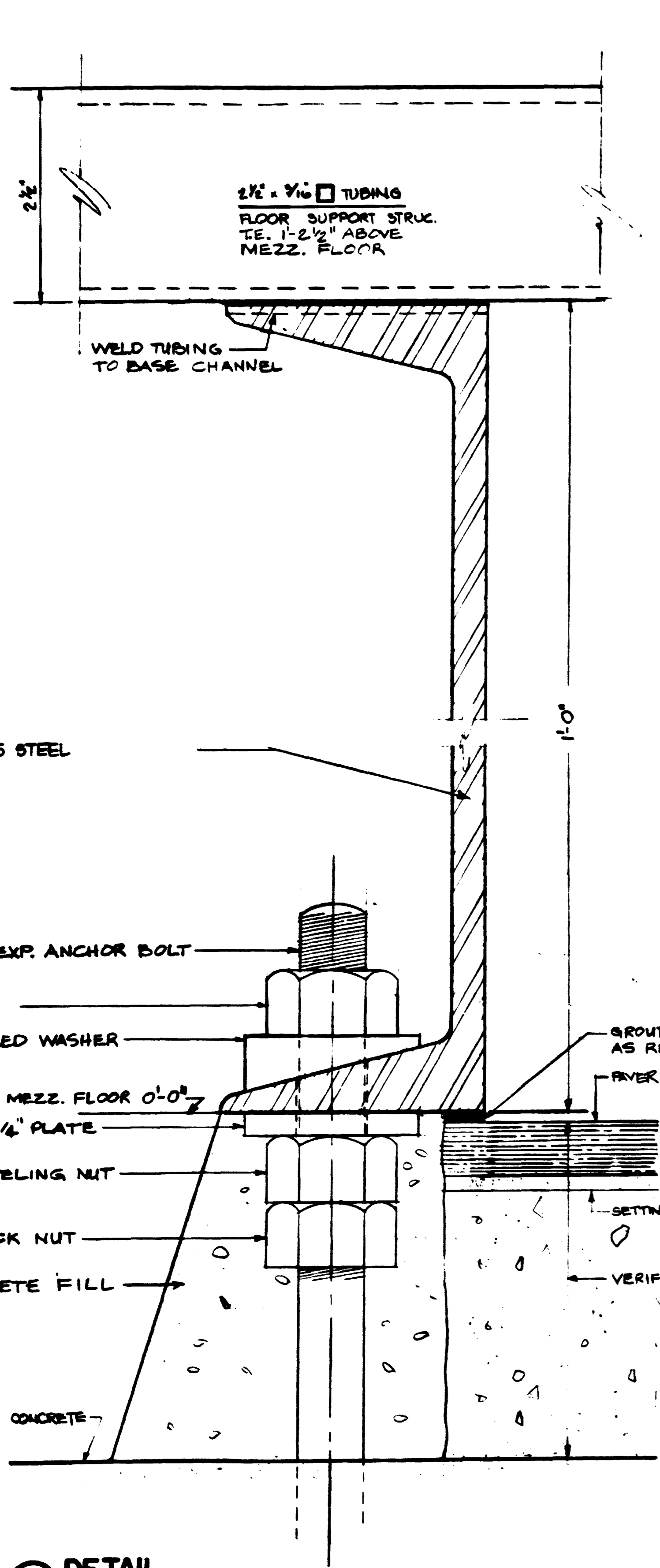
6 WALL SECTION AT PASS THROUGH
SCALE: FULL SIZE

DESIGNED	HWA	3-28-76	REFERENCE DRAWINGS		REVISIONS	
			NUMBER	DESCRIPTION	DATE	BY
DRAWN	RMR	4-8-76				
CHECKED	JL	4-13-76				
APPROVED	Stanley Allan	4-13-76				

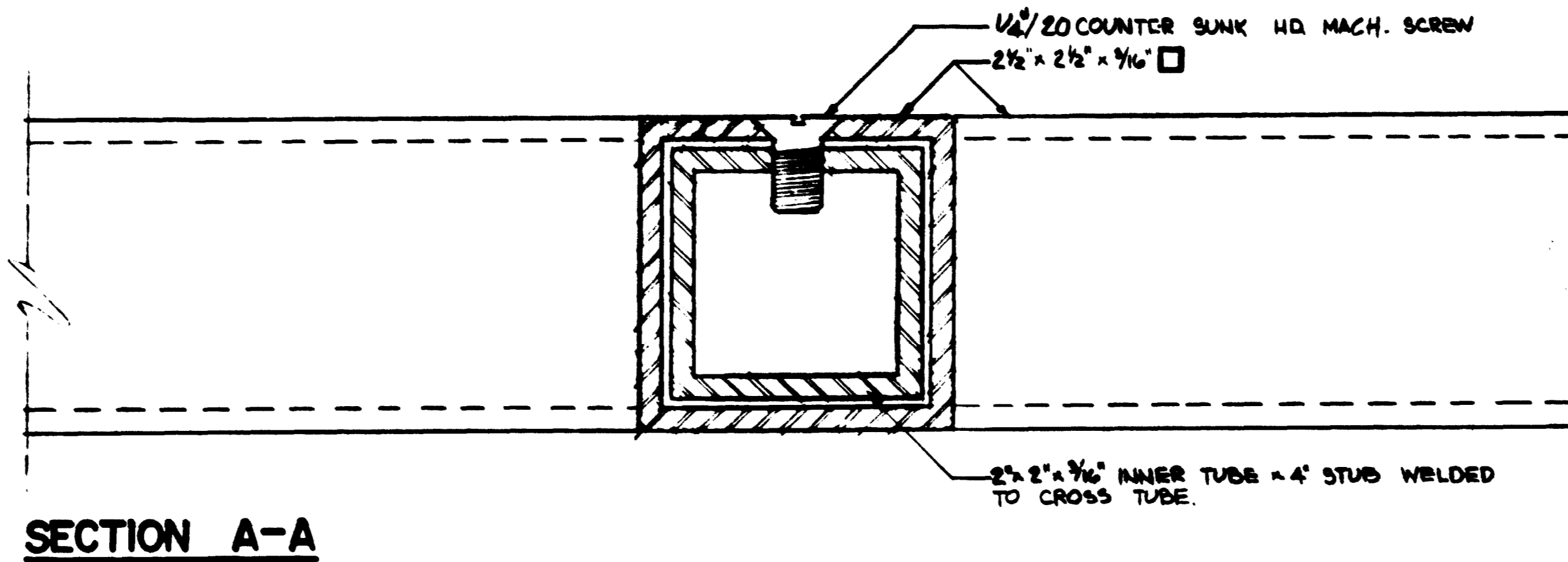
STANLEY H. ALLAN
DIST. OF COLUMBIA
CERTIFICATE
NO. A-2977

WASHINGTON METROPOLITAN AREA TRANSIT AUTHORITY
HARRY WEESE & ASSOCIATES
GENERAL ARCHITECTURAL CONSULTANT
SUBMITTED: Stanley Allan 4/15/76
APPROVED: Stanley Allan 4/15/76

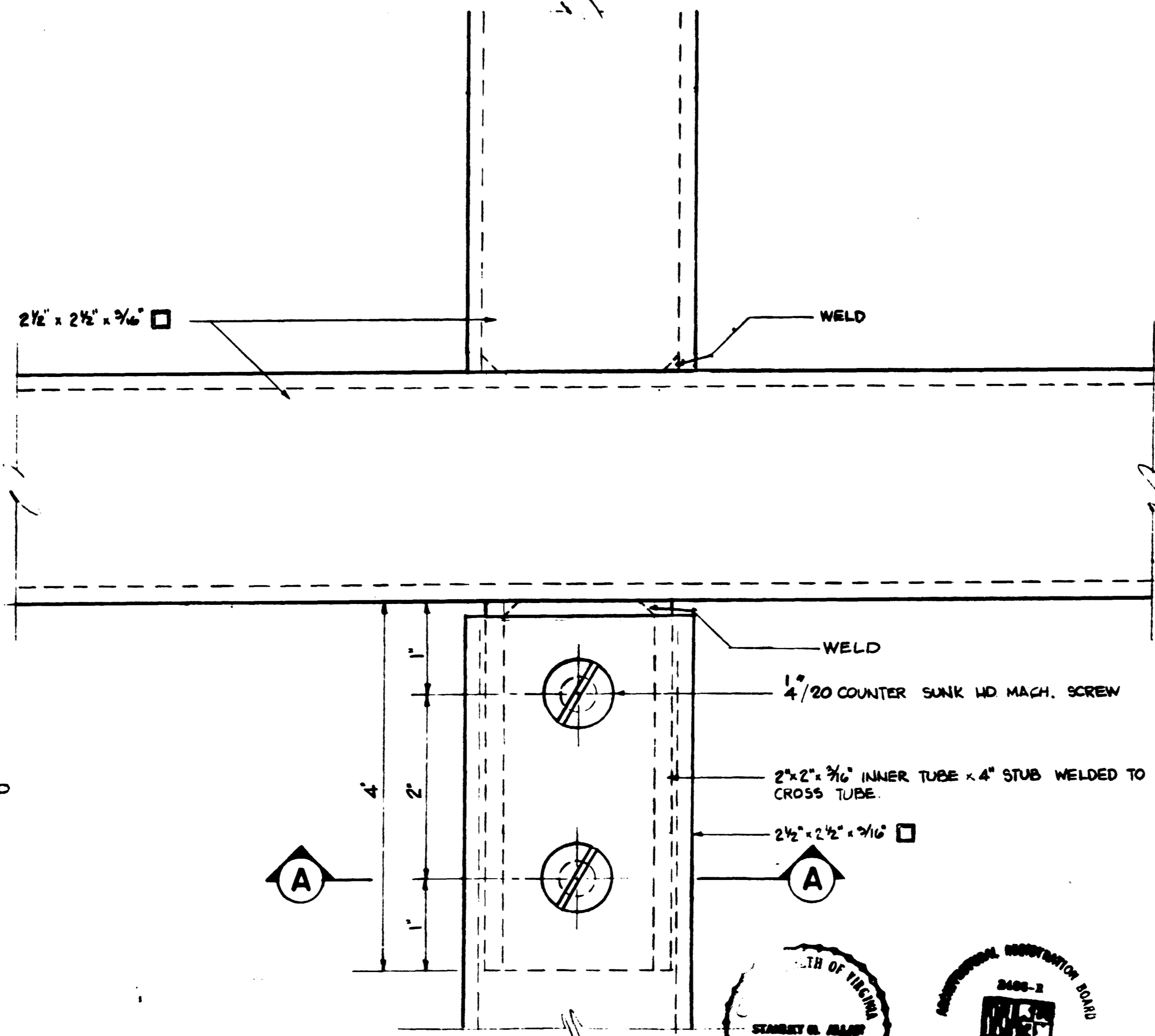
KIOSK WALL SECTIONS
SCALE: 1/2" = 1'-0"
DRAWING NO. K-111-A11
M 256-12



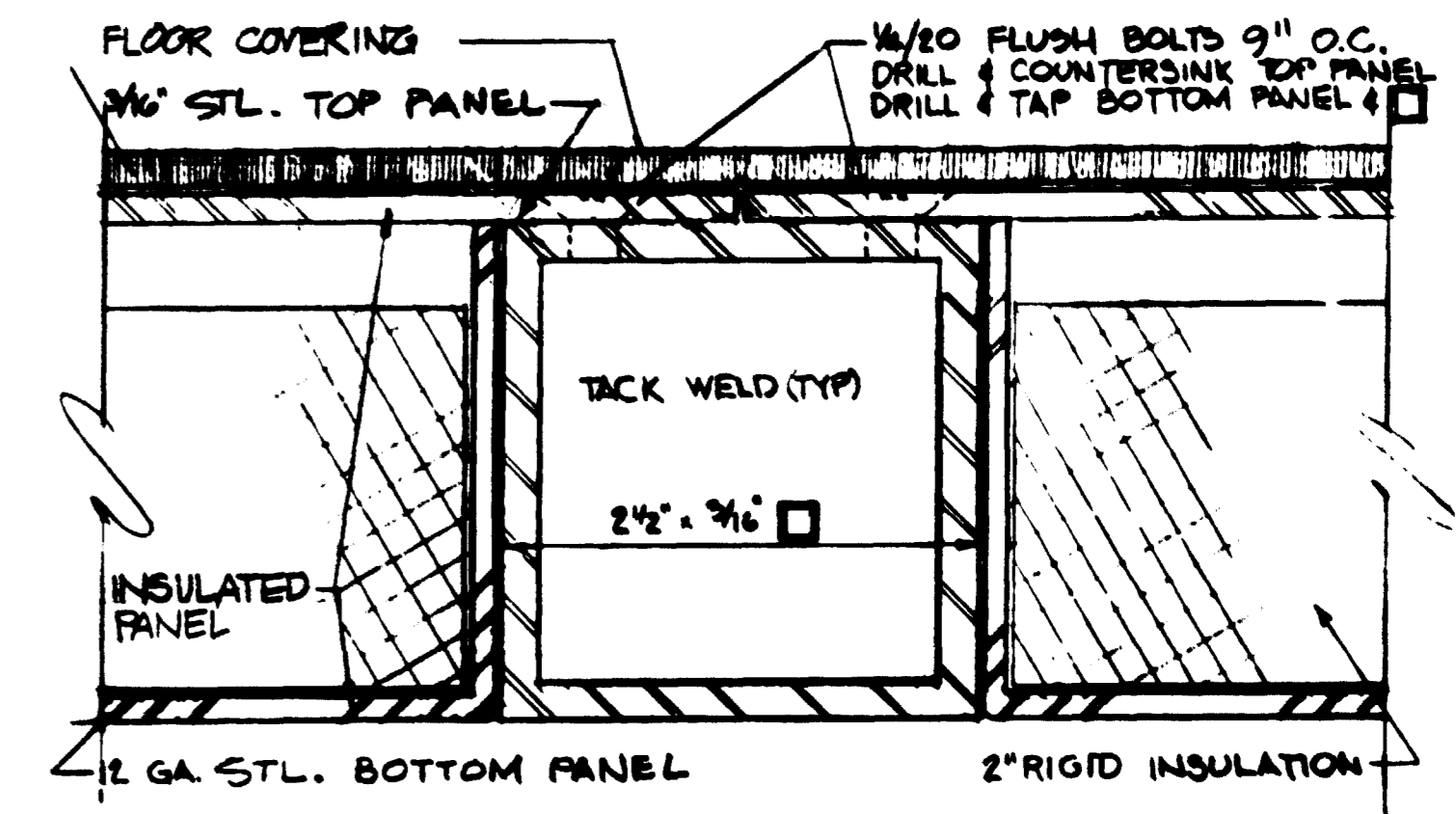
④ DETAIL



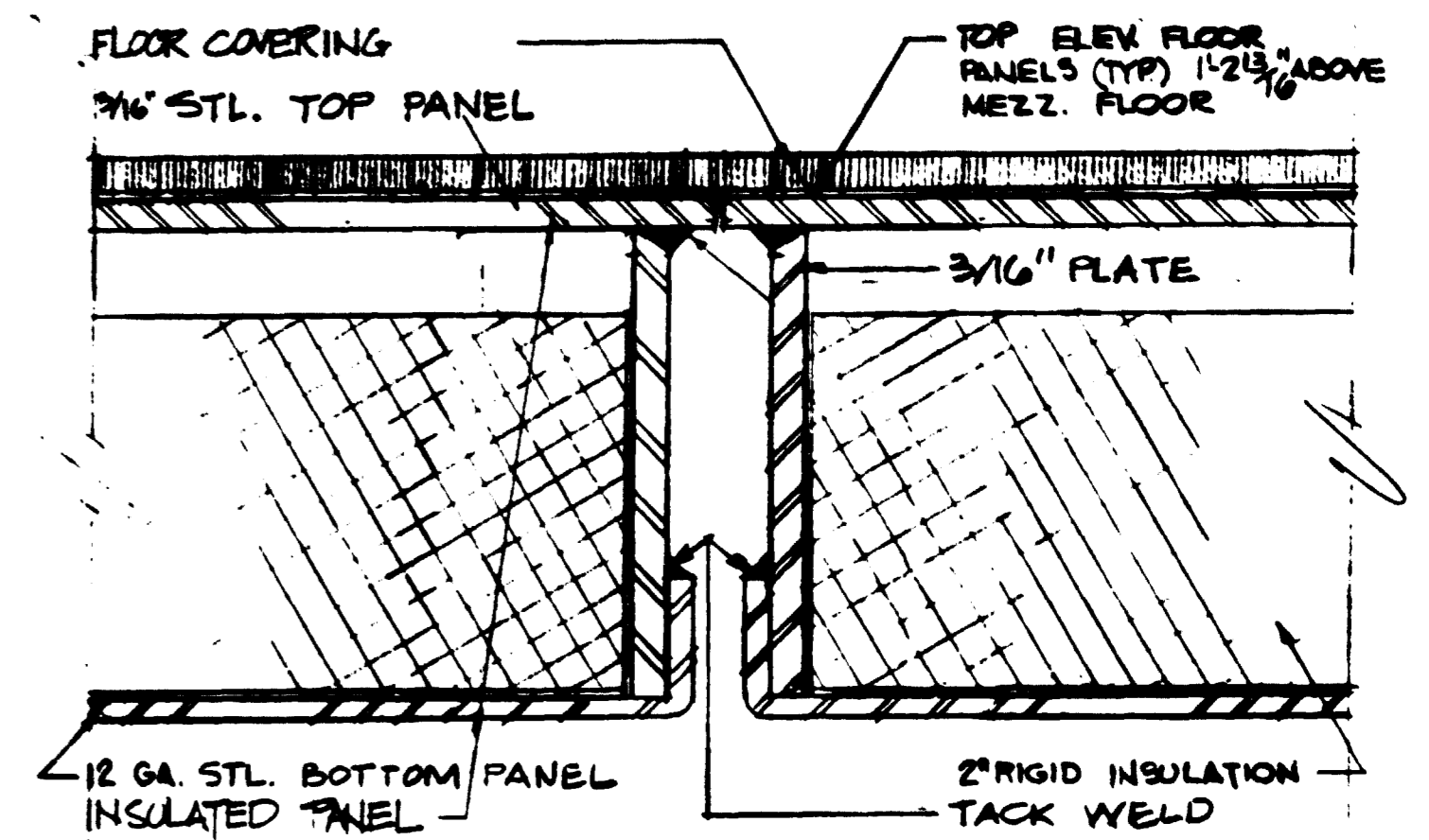
SECTION A-A



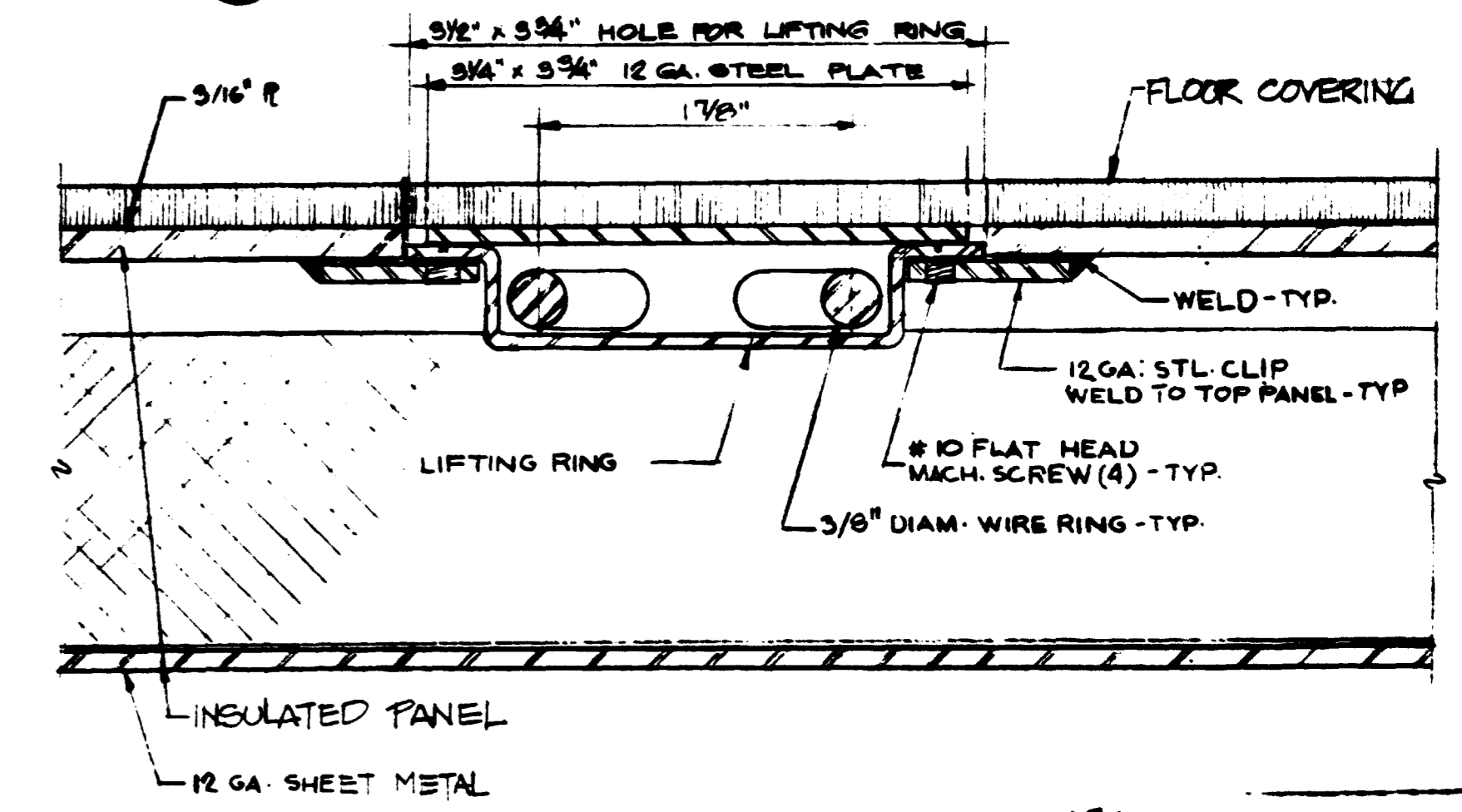
③ DETAIL



① DETAIL



② DETAIL



⑤ DETAIL LIFTING RING

WASHINGTON METROPOLITAN AREA TRANSIT AUTHORITY
 AS-BUILT CONDITION
 FEB 03 1981

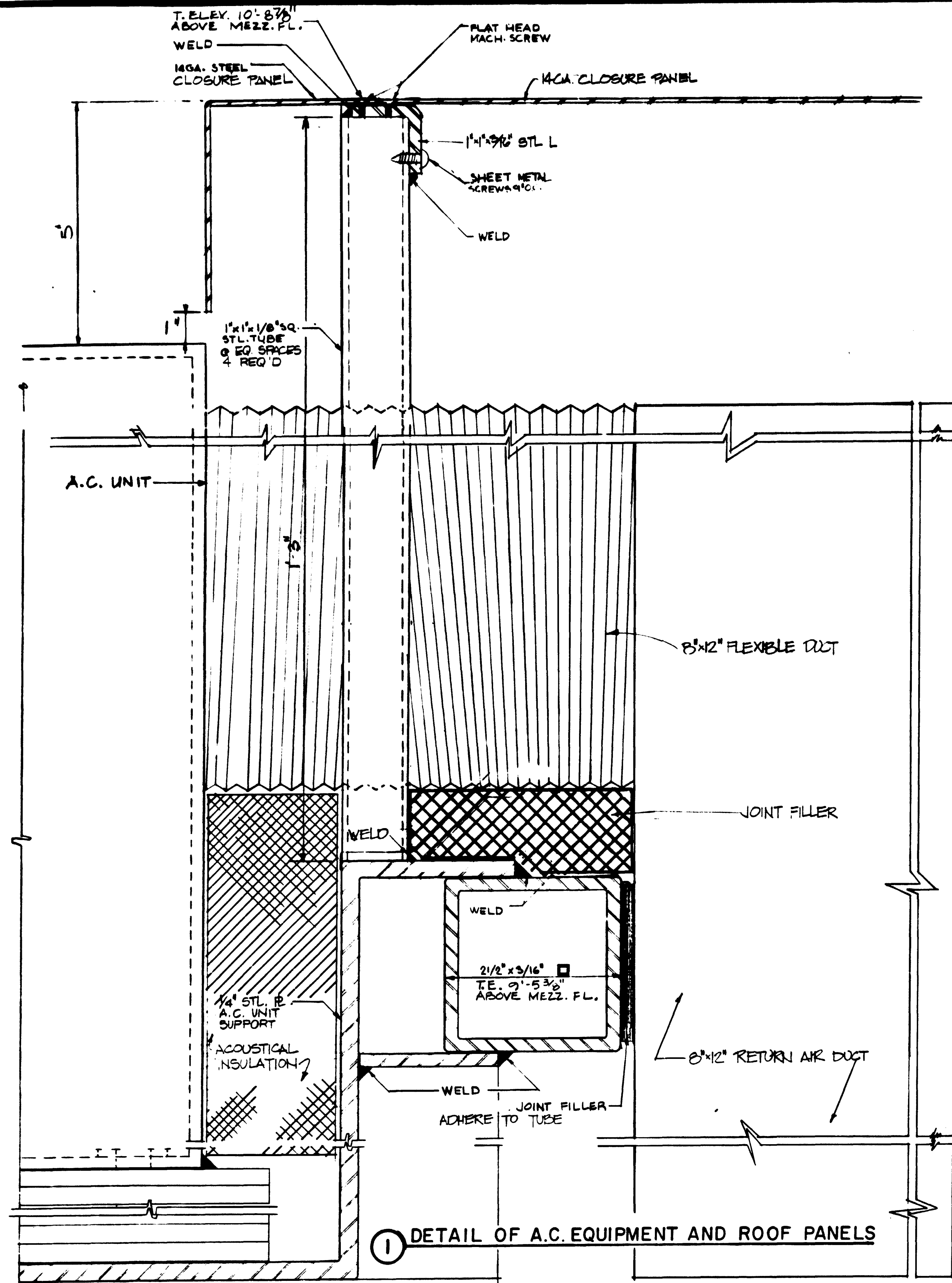
DESIGNED	HWA	4-2-74
DRAWN	RMR	4-22-74
CHECKED	[Signature]	4-13-76
APPROVED	[Signature]	4-13-76

REFERENCE DRAWINGS		REVISIONS		
NUMBER	DESCRIPTION	DATE	BY	DESCRIPTION

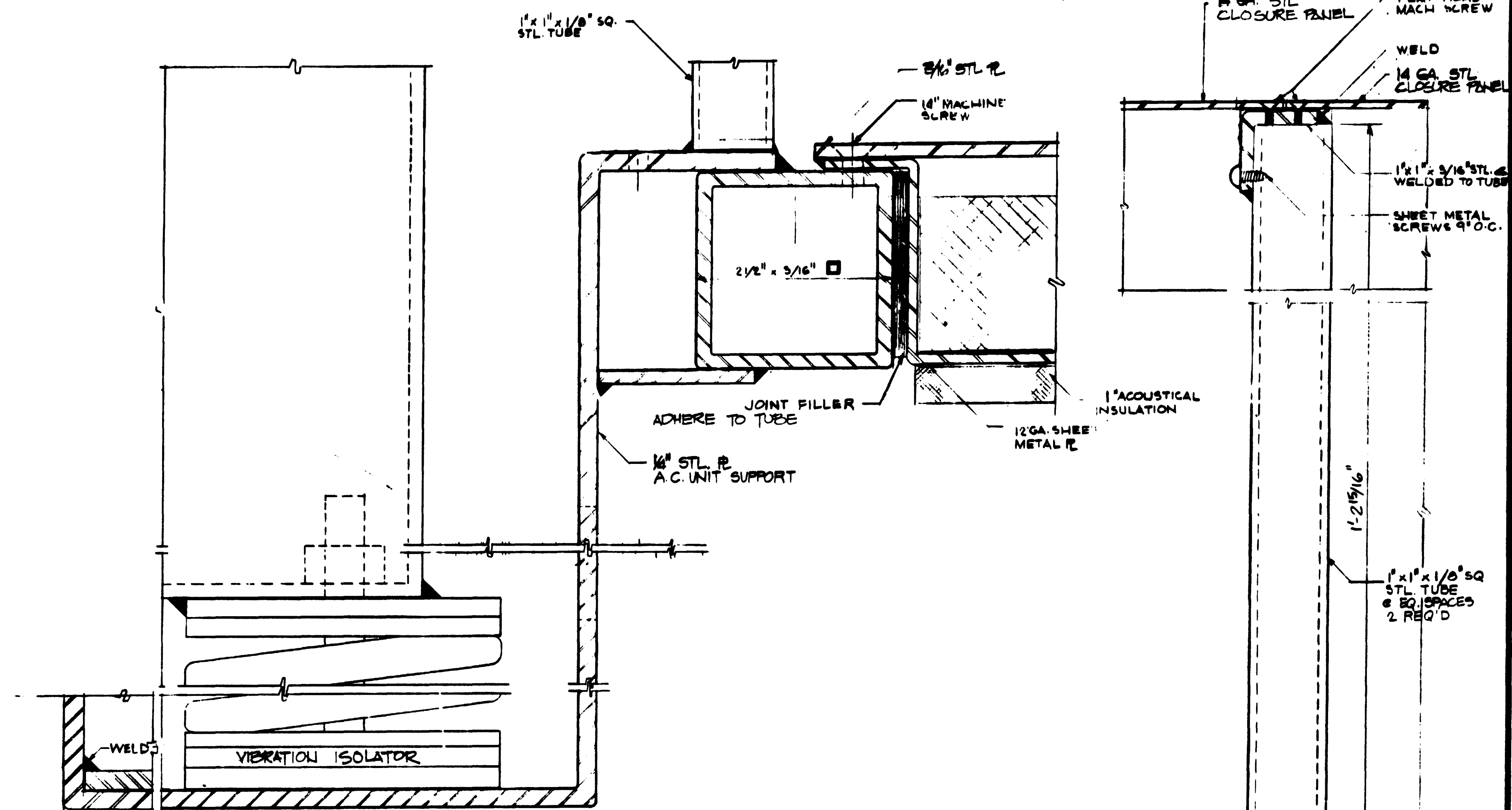
STANLEY N. ALLAN
 DIST. OF COLUMBIA
 CERTIFICATE
 No. A-2077

WASHINGTON METROPOLITAN AREA TRANSIT AUTHORITY
 HARRY WESE & ASSOCIATES
 GENERAL ARCHITECTURAL CONSULTANT
 DE LEUW, GATHER & COMPANY
 GENERAL ENGINEERING CONSULTANT
 HARRY WESE & ASSOCIATES
 GENERAL ARCHITECTURAL CONSULTANT
 SUBMITTED: Stanley Allan 4/15/76
 APPROVED: Stanley Allan 4/15/76

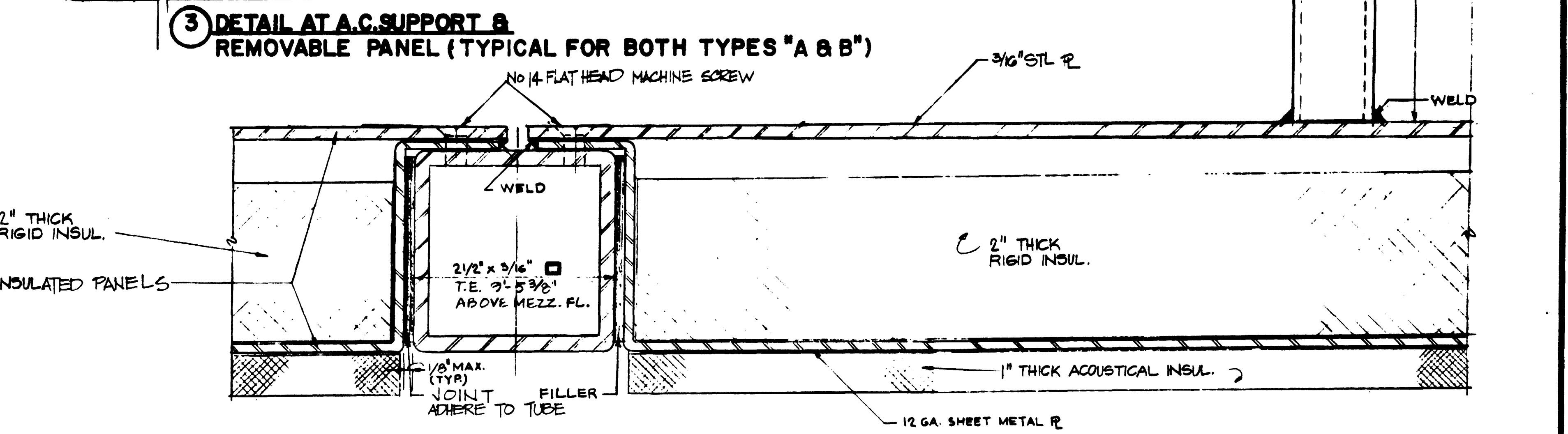
KIOSK
 FLOOR & BASE DETAILS
 SCALE 1" = 1'-0"
 DRAWING NO. K111-A12
 M-256-13



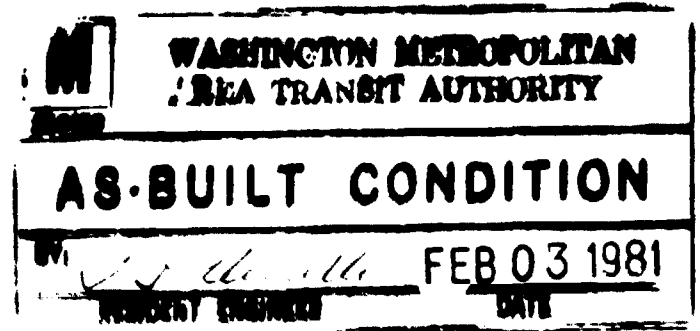
1 DETAIL OF A.C. EQUIPMENT AND ROOF PANELS



2 DETAIL OF ROOF ADJACENT TO A.C. UNIT



3 DETAIL AT A.C. SUPPORT & REMOVABLE PANEL (TYPICAL FOR BOTH TYPES 'A & B')



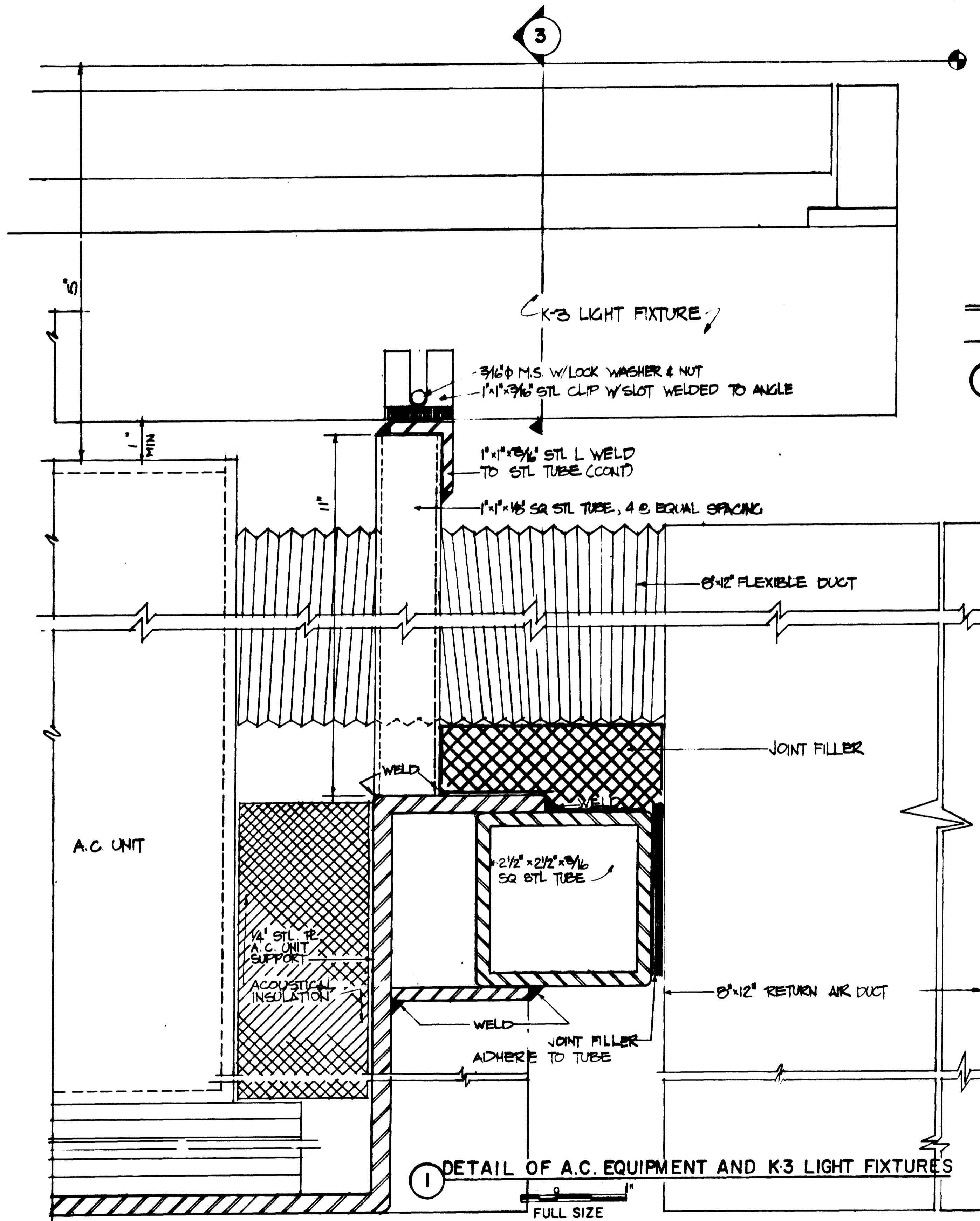
DESIGNED	HWA	3-29-77
DRAWN	R.M.R.	2-3-76
CHECKED	[Signature]	4-13-77
APPROVED	[Signature]	4-13-77

REFERENCE DRAWINGS		REVISIONS	
NUMBER	DESCRIPTION	DATE	BY

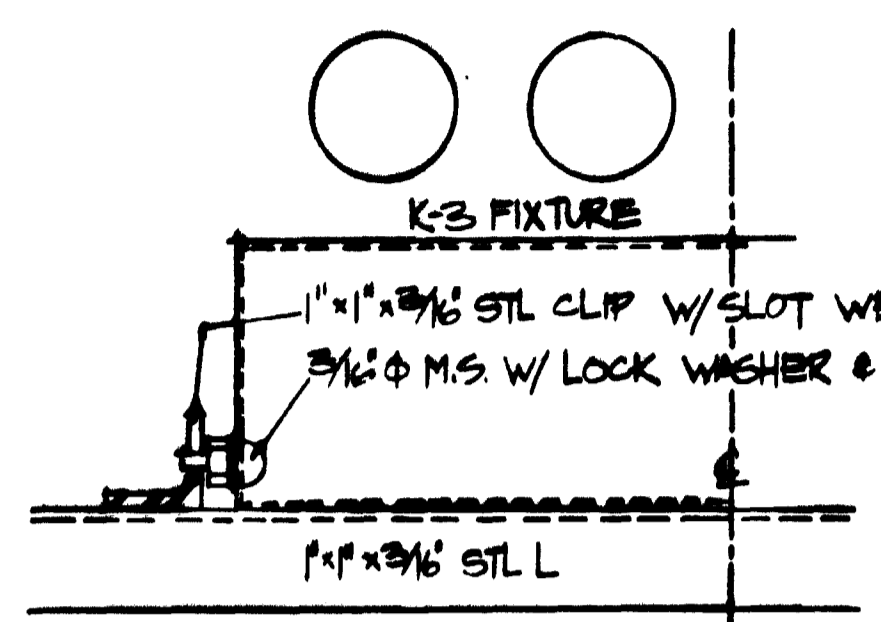
STANLEY M. ALLAN
DIST. OF COLUMBIA
CERTIFICATE
No. A-2077

WASHINGTON METROPOLITAN AREA TRANSIT AUTHORITY
HARRY WEESE & ASSOCIATES
GENERAL ARCHITECTURAL CONSULTANT
SUBMITTED: Stanley Allan 4/15/76
APPROVED: Stanley Allan 4/15/76

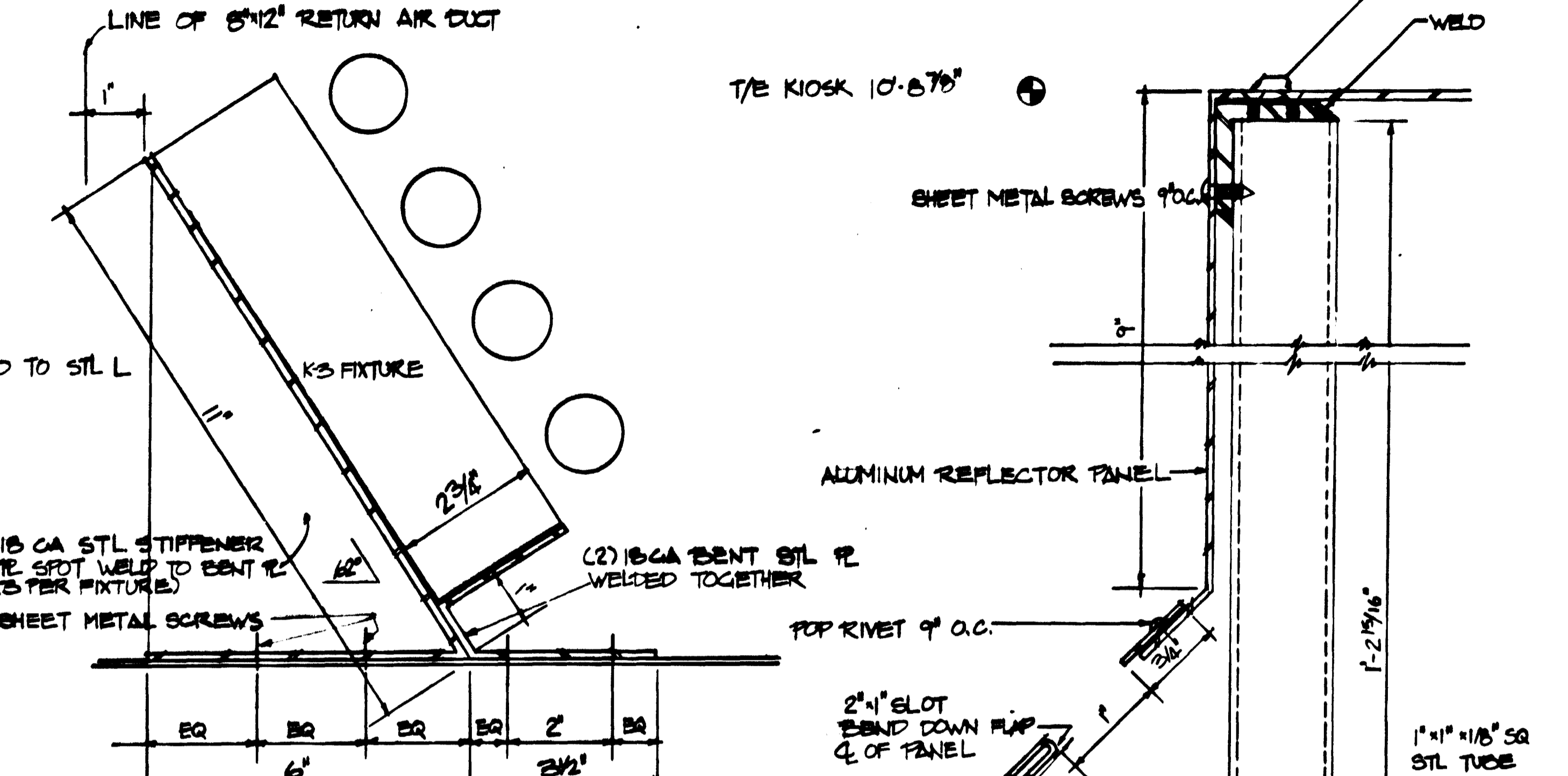
KIOSK
ROOF DETAILS FOR TYPE "B" KIOSKS
SCALE: 1" = 1'-0"
DRAWING NO. K-111-A-13
M-256-14



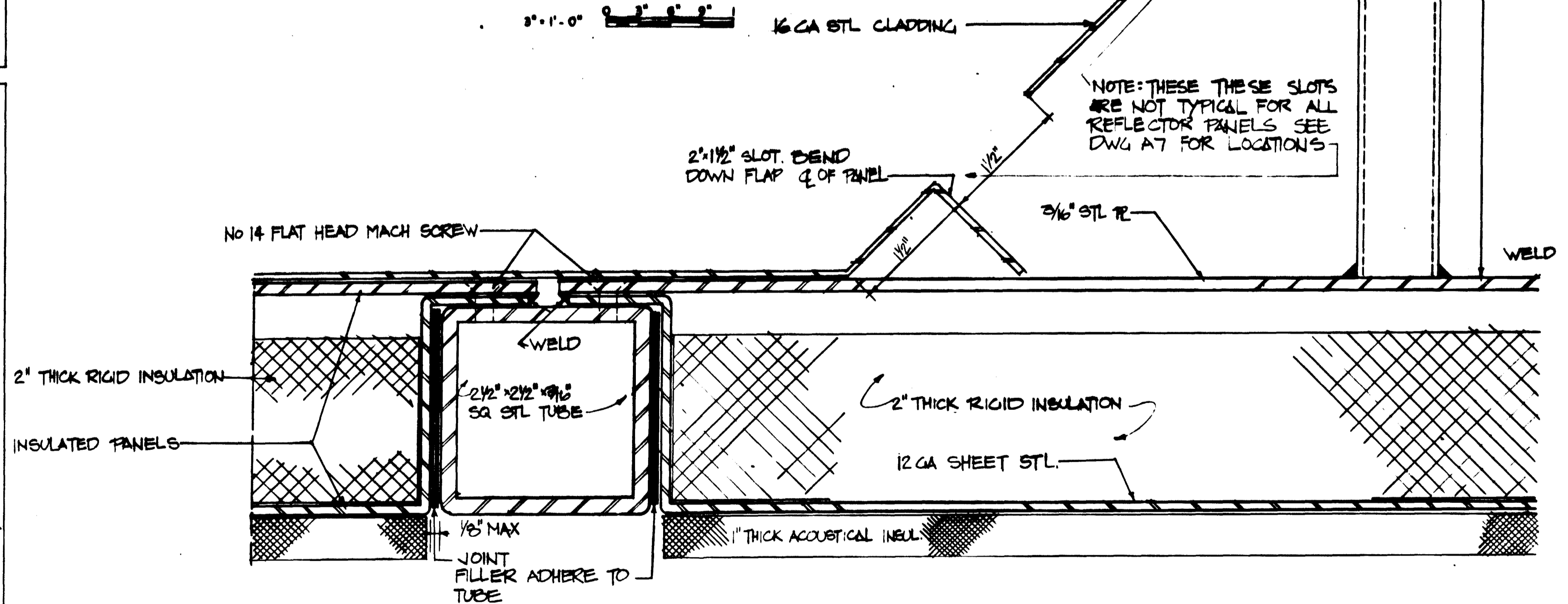
TOP ELEVATION OF KIOSK 10-878



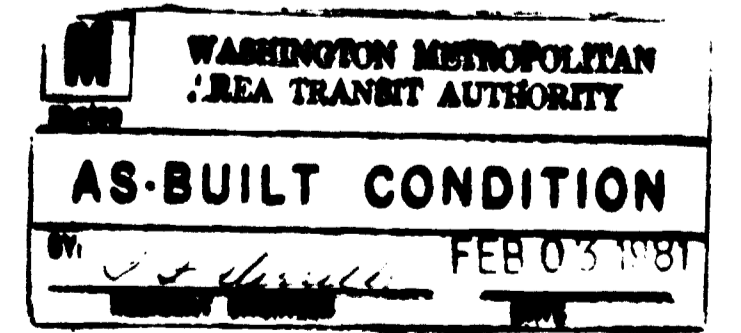
3 HORIZONTAL MOUNTING OF K-3 FIXTURE



4 VERTICAL MOUNTING OF K-3 FIXTURE



2 DETAIL OF ROOF AND LIGHTWELL ADJACENT TO A.C. UNIT



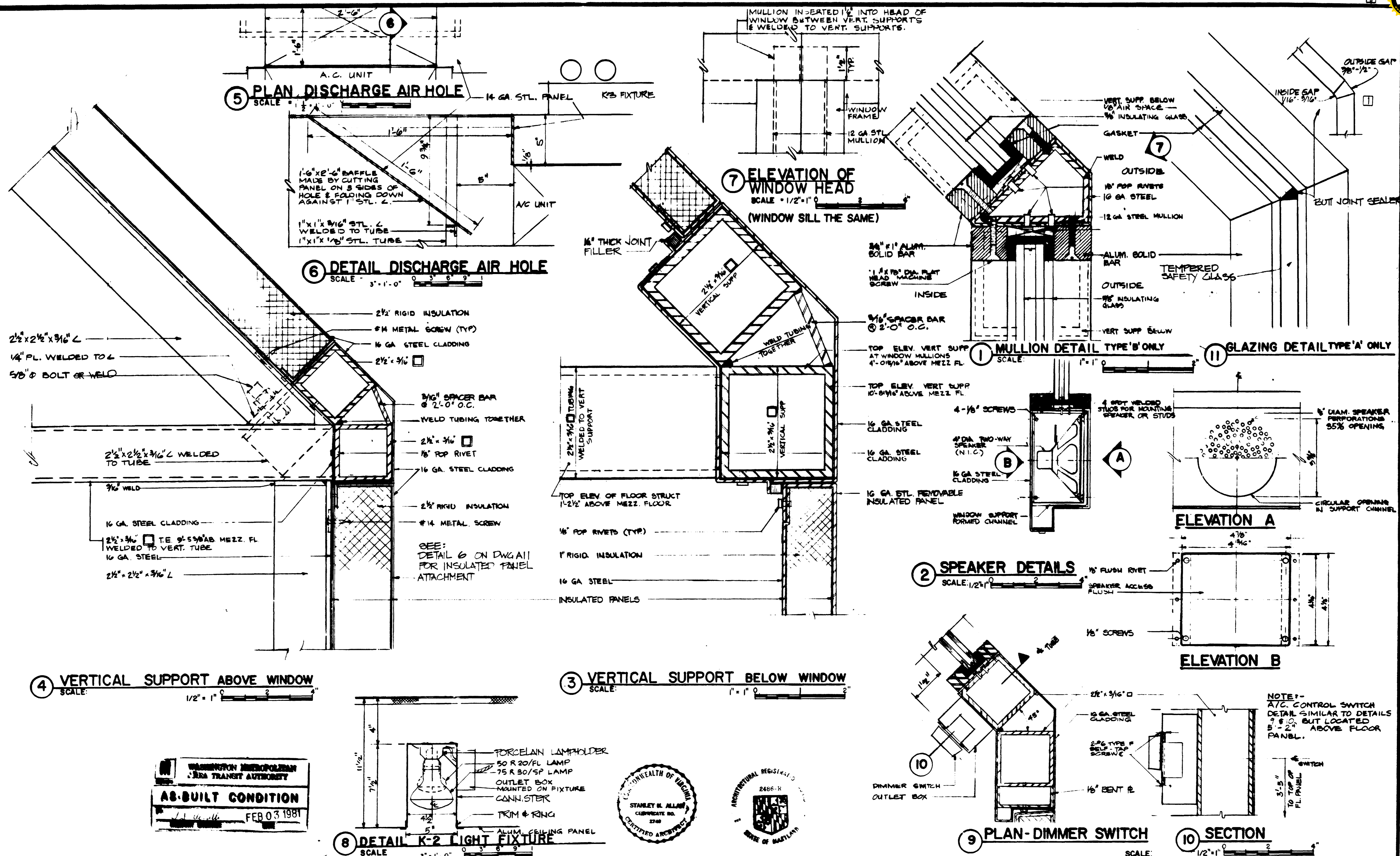
DESIGNED	H.W.A.	2-4-76
DRAWN	R.M.R.	2-4-76
CHECKED	JDC	4-13-76
APPROVED	Stanley Allan	4-13-76

REFERENCE DRAWINGS		REVISIONS		
NUMBER	DESCRIPTION	DATE	BY	DESCRIPTION

STANLEY H. ALLAN
DIST. OF COLUMBIA
CERTIFICATE
No. A-2077

WASHINGTON METROPOLITAN AREA TRANSIT AUTHORITY
HARRY WEESE & ASSOCIATES LTD.
GENERAL ARCHITECTURAL CONSULTANT
SUBMITTED Stanley Allan 4/15/76
APPROVED Stanley Allan 4/15/76

KIOSK
ROOF DETAILS FOR TYPE "A" KIOSKS
SCALE AS NOTED
DRAWING NO. K III-A-14
M256-15



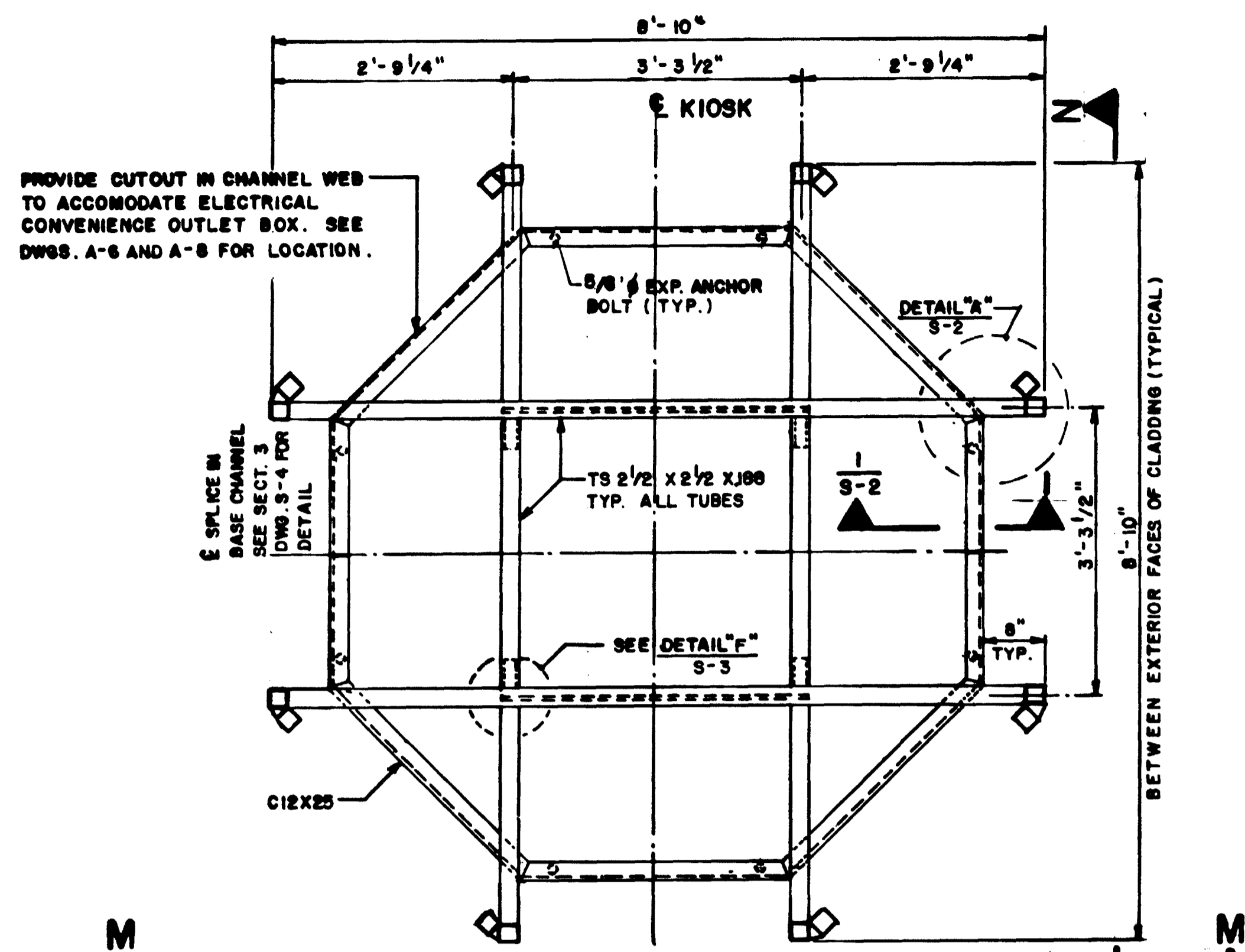
WASHINGTON METROPOLITAN AREA TRANSIT AUTHORITY
AS-BUILT CONDITION
 FEB 03 1981



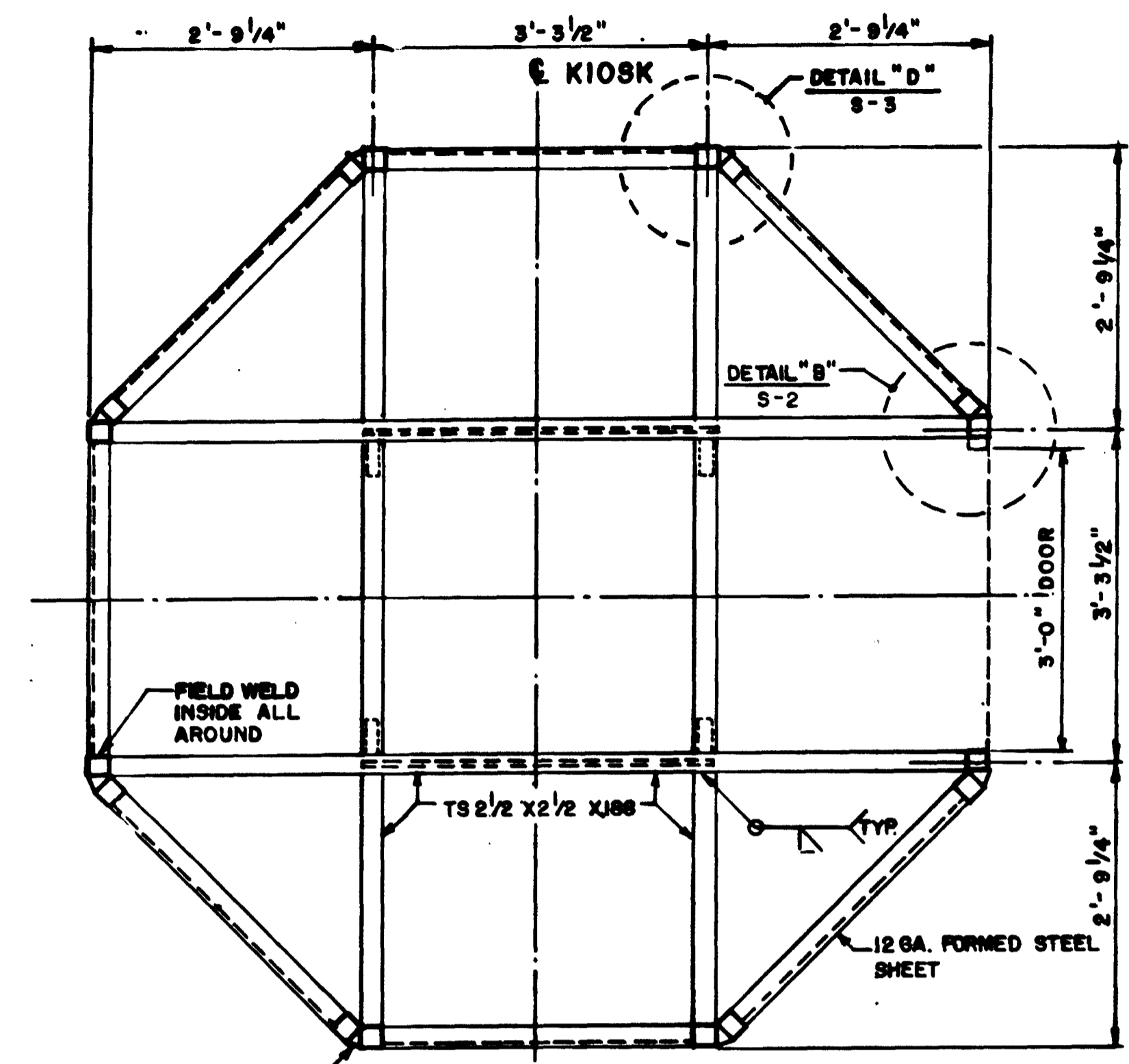
DESIGNED	HWA	4-4-74	REFERENCE DRAWINGS	BY	REVISIONS	STANLEY N. ALLAN	WASHINGTON METROPOLITAN AREA TRANSIT AUTHORITY	DE LEUW, CATHEN & COMPANY	KIOSK
DRAWN	RMR	4-8-76		12-81	BAB	DIST. OF COLUMBIA	HARRY WEESE & ASSOCIATES	GENERAL ENGINEERING CONSULTANT	MISCELLANEOUS DETAILS
CHECKED	JL	4-13-76				CERTIFICATE	GENERAL ARCHITECTURAL CONSULTANT		
APPROVED	Stanley Allan	4-13-76				No. A-2077	SUBMITTED: Stanley Allan 4/15/76	APPROVED: Stanley Allan 4/15/76	SCALE: AS NOTED
								DRAWING NO.	K III-A-15
									M-256-16

NOTES:

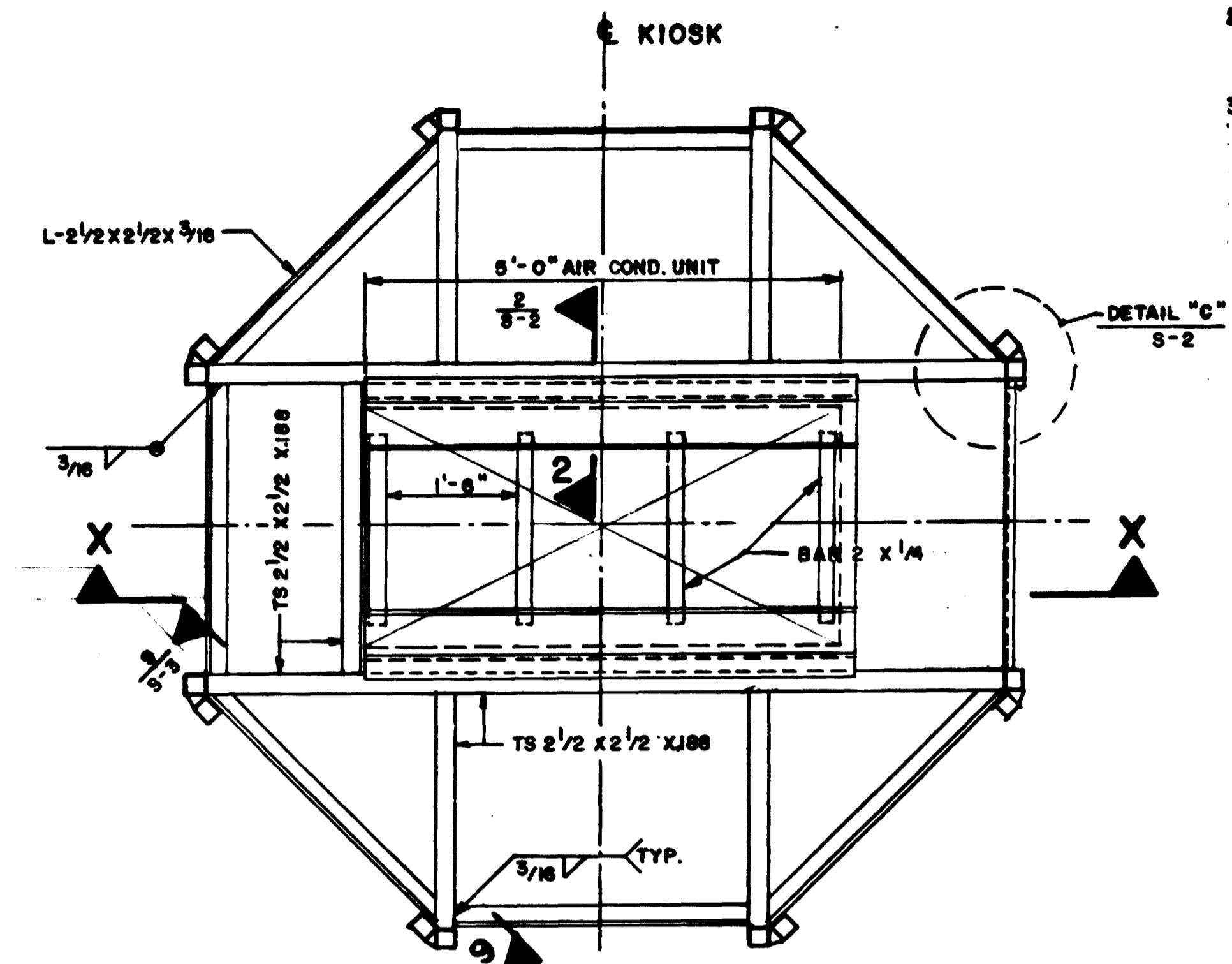
- FOR GENERAL STRUCTURAL NOTES SEE DRAWING S-3.
- MULLIONS SHALL BE PROVIDED ON TYPE B KIOSKS ONLY.
- FOR LOCATIONS OF TYPE A AND TYPE B KIOSKS SEE DRAWING A-1 THRU A-3.



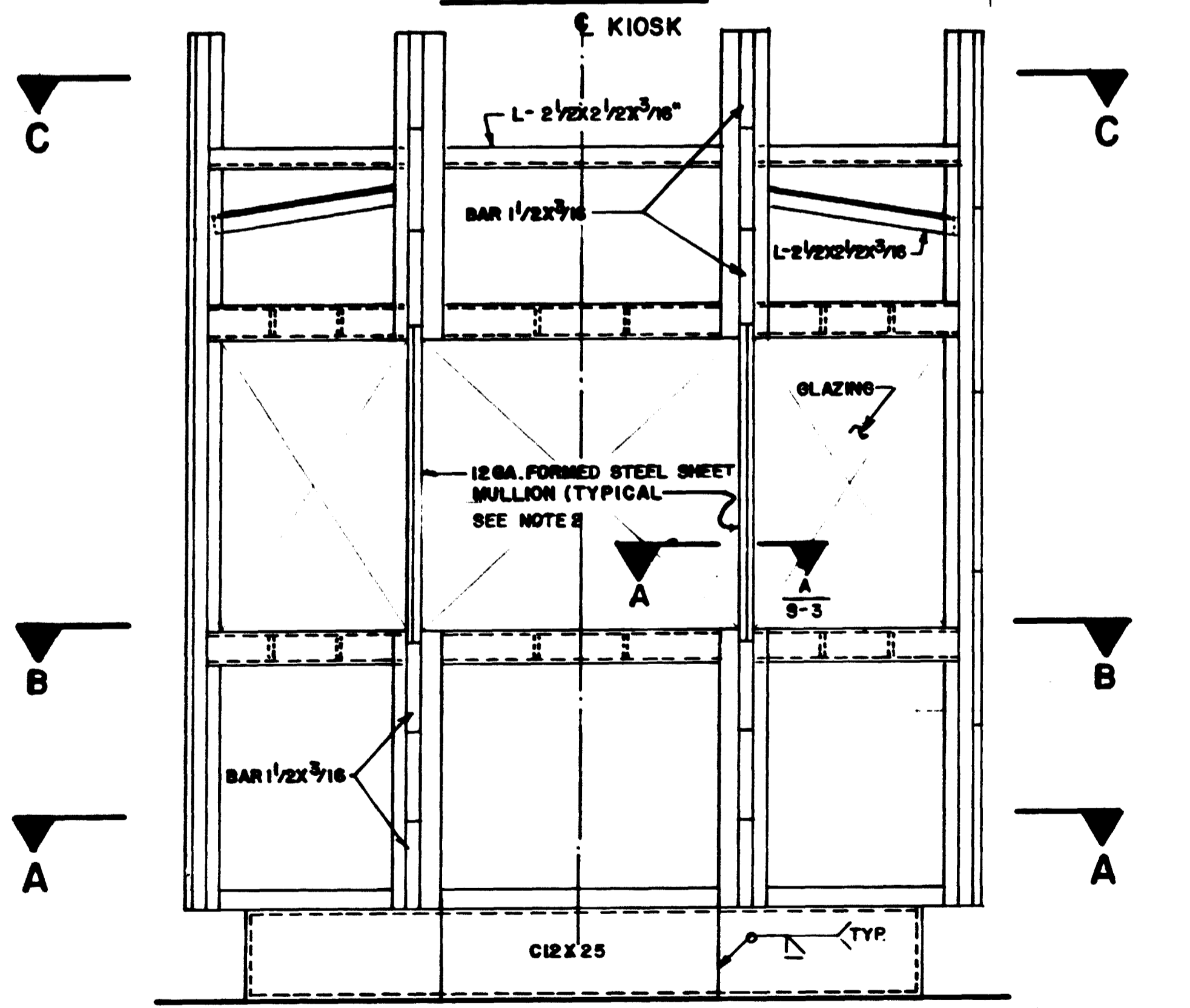
PLAN A-A



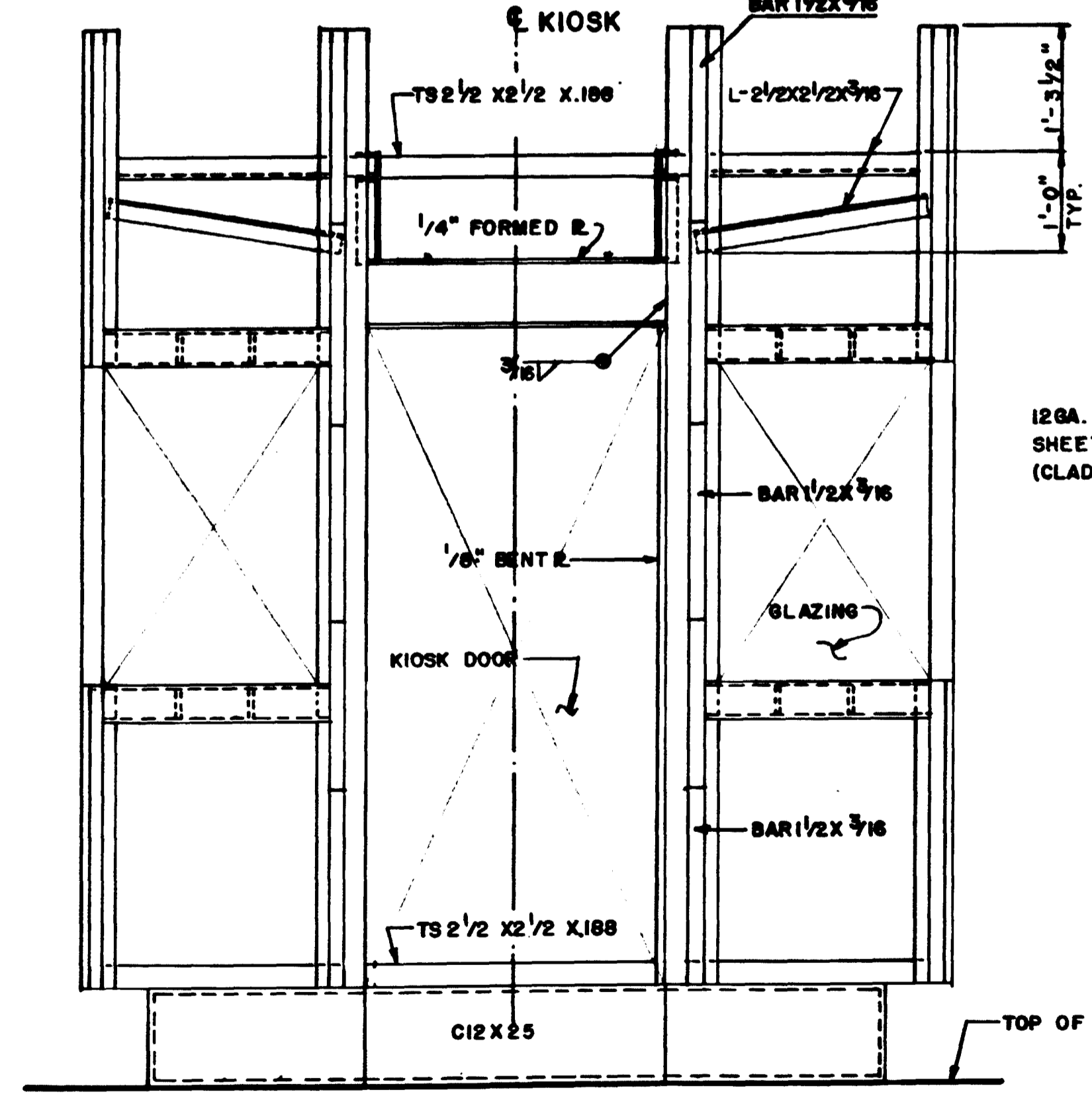
PLAN B-B



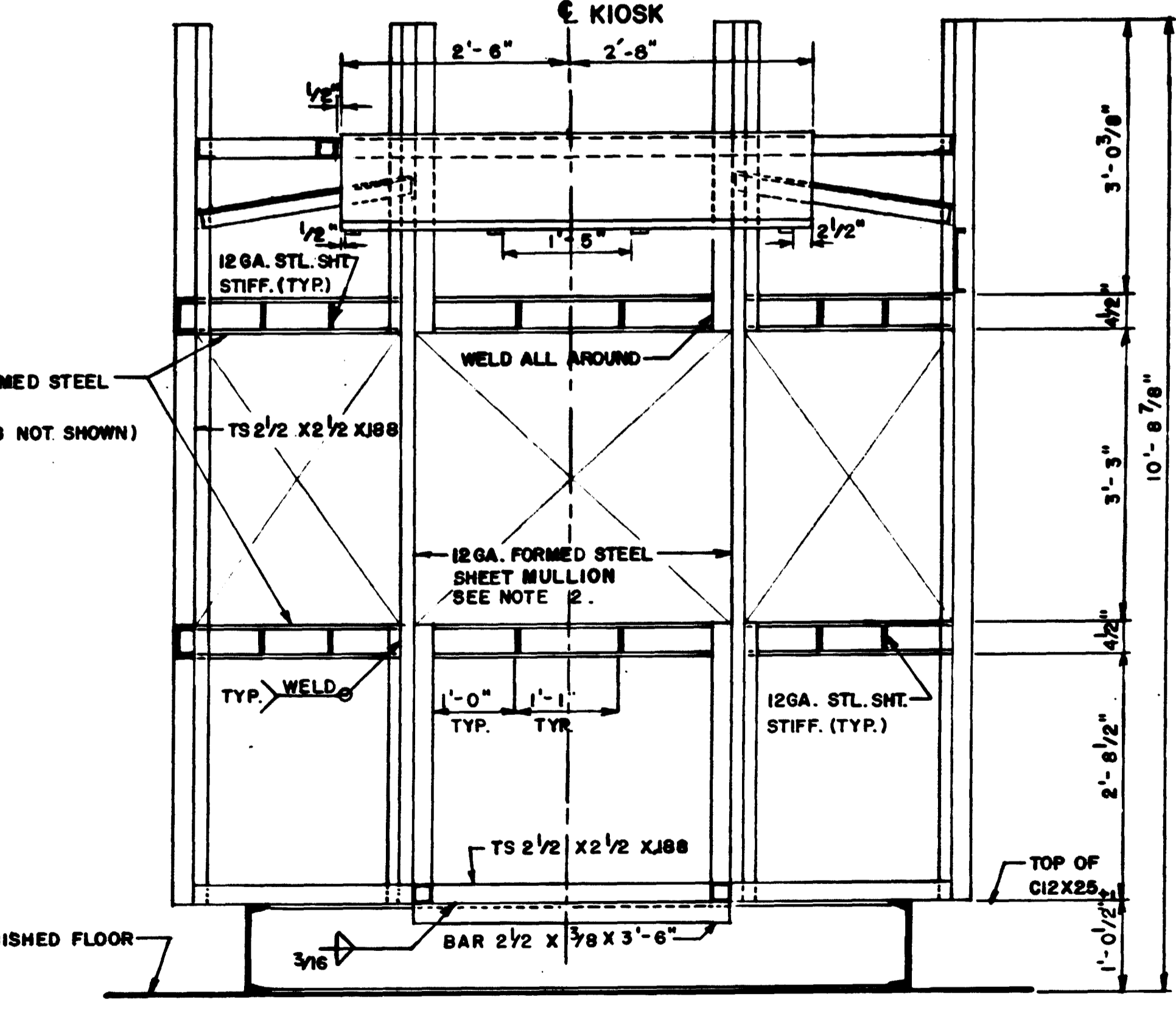
PLAN C-C



ELEVATION M-M



ELEVATION N-N

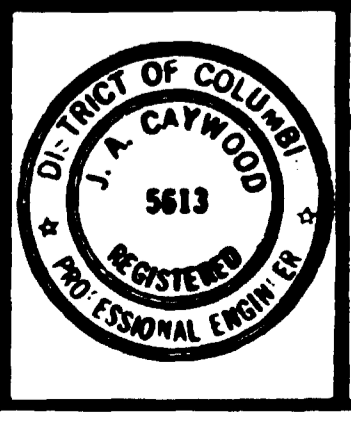


SECTION X-X

WASHINGTON METROPOLITAN
AREA TRANSIT AUTHORITY
AS-BUILT CONDITION
FEB 03 1981

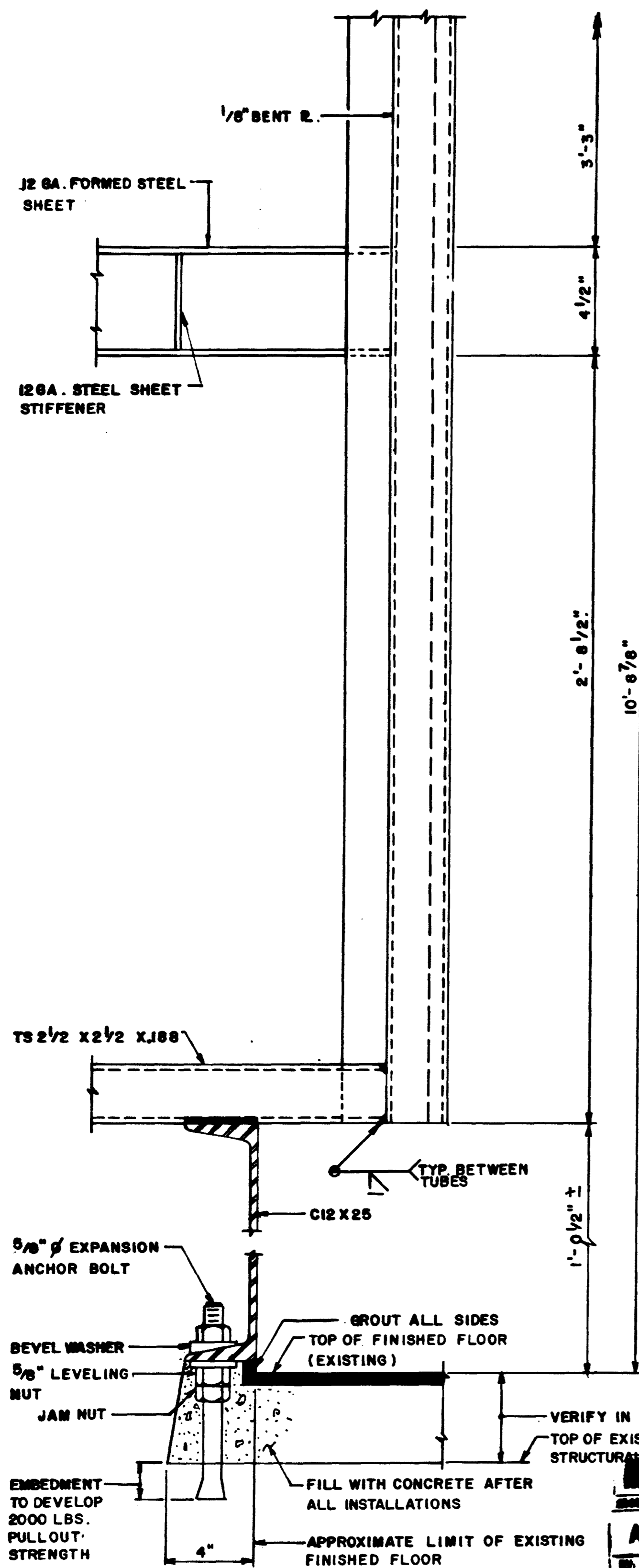
DESIGNED K. SINGH 4/76
DATE
DRAWN L. SETTLES 4/76
DATE
CHECKED R. MOCARSKI 4/76
DATE
APPROVED [Signature] 4/76
DATE

REFERENCE DRAWINGS		REVISIONS		
NUMBER	DESCRIPTION	DATE	BY	DESCRIPTION



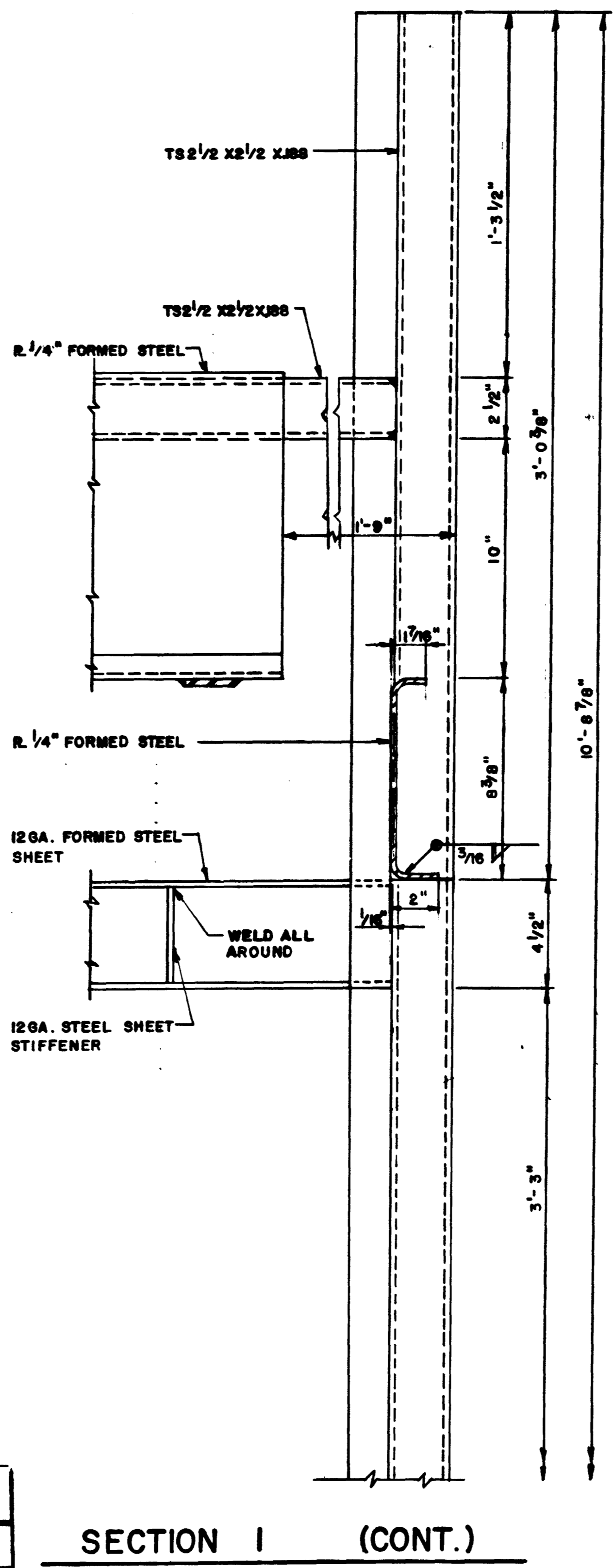
WASHINGTON METROPOLITAN AREA TRANSIT AUTHORITY
DE LEUW, CATHER & COMPANY
GENERAL ENGINEERING CONSULTANT
SECTION DESIGNER
HARRY WEESE & ASSOCIATES
GENERAL ARCHITECTURAL CONSULTANT
SUBMITTED [Signature]
APPROVED [Signature]

KIOSK PLANS AND ELEVATIONS
SCALE 3/4" = 1'-0"
DRAWING NO. **KIII-S-1**
M-256-17

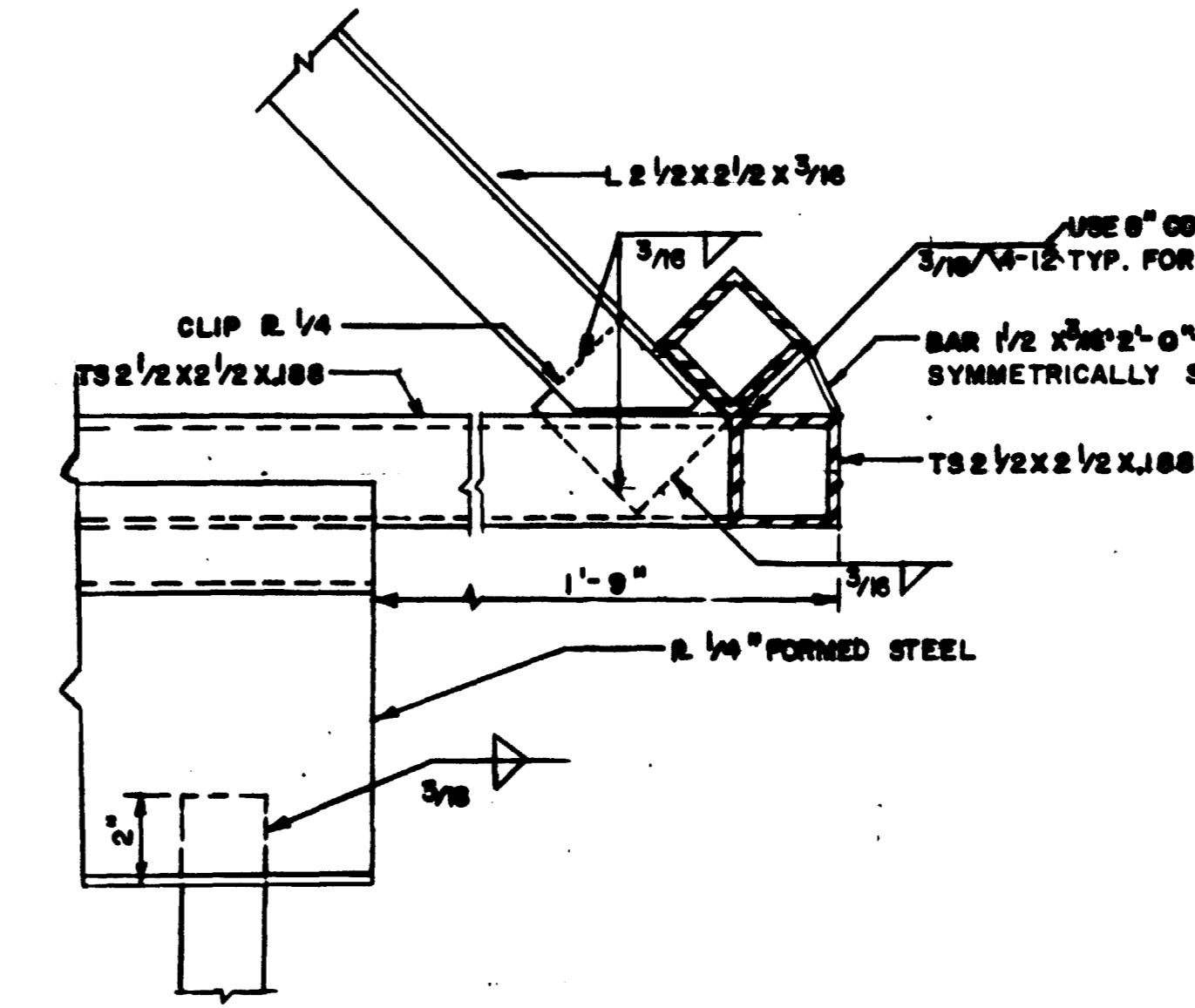


SECTION I
S-1

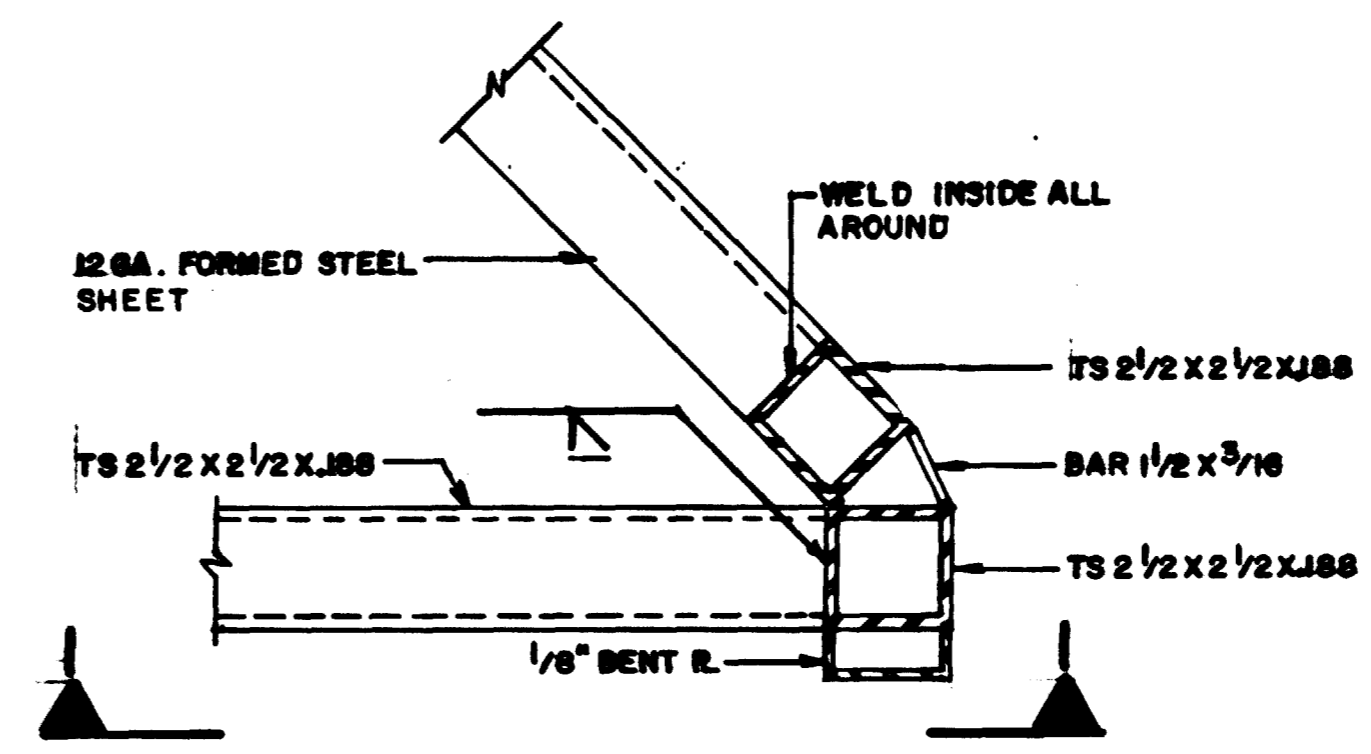
WASHINGTON METROPOLITAN
TRANSIT AUTHORITY
AS-BUILT CONDITION
FEB 03 1981



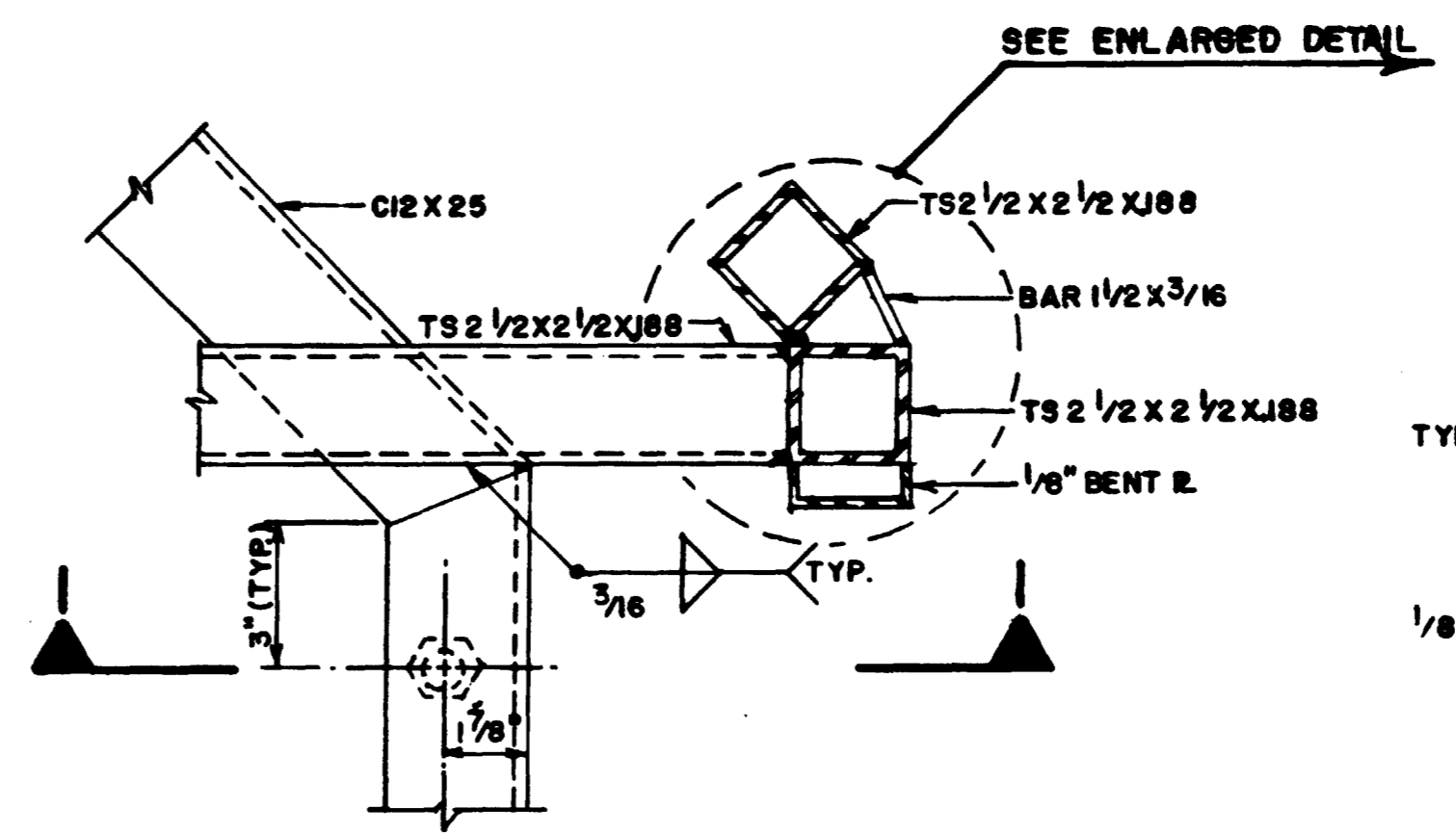
SECTION I (CONT.)



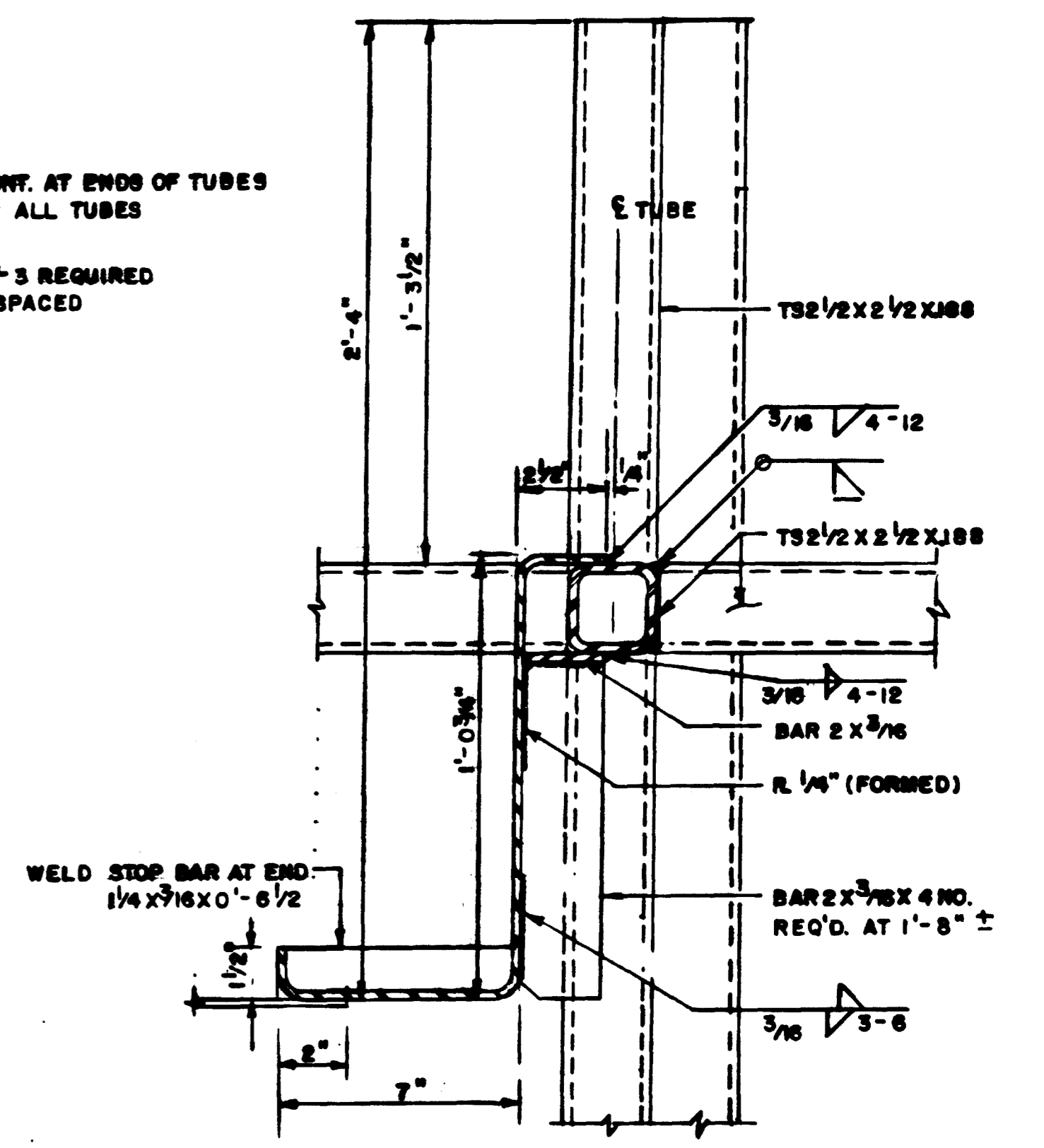
DETAIL "C"
S-1



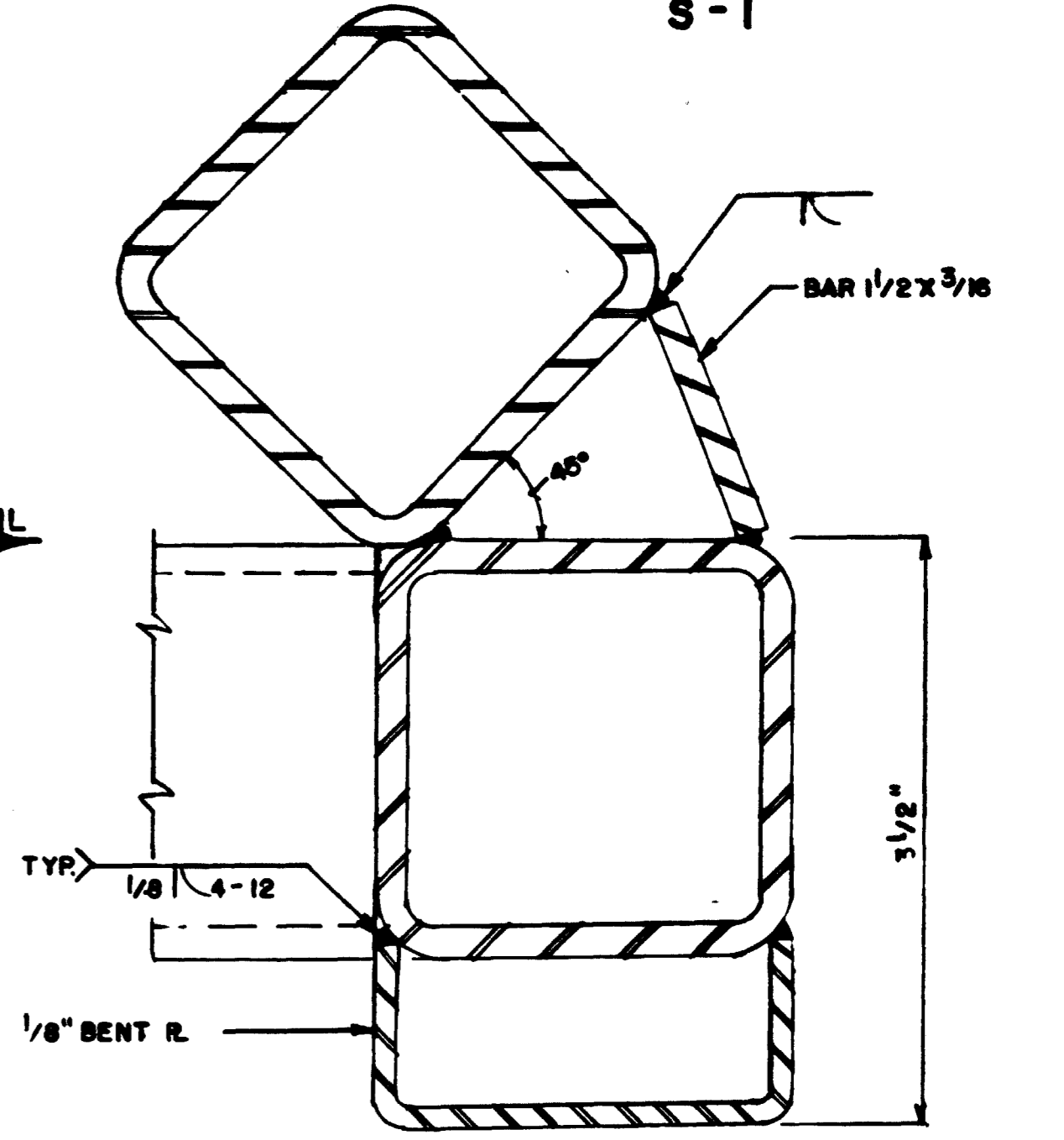
DETAIL "B"
S-1



DETAIL "A"
S-1

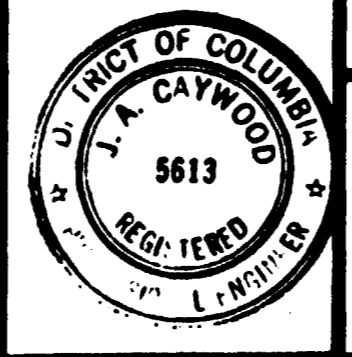


SECTION 2
S-1



DESIGNED	K. SINGH	4/76
DRAWN	L. SETTLES	4/76
CHECKED	R. BOCARSKI	4/76
APPROVED	6/7/81	4/76

REFERENCE DRAWINGS		REVISIONS		
NUMBER	DESCRIPTION	DATE	BY	DESCRIPTION



WASHINGTON METROPOLITAN AREA TRANSIT AUTHORITY

DE LEUW, CATHER & COMPANY
SECTION DESIGNER

DE LEUW, CATHER & COMPANY
GENERAL ENGINEERING CONSULTANT

HARRY WEESE & ASSOCIATES
GENERAL ARCHITECTURAL CONSULTANT

SUBMITTED *J. A. Caywood* APPROVED *J. A. Caywood*

KIOSK
SECTIONS AND DETAILS

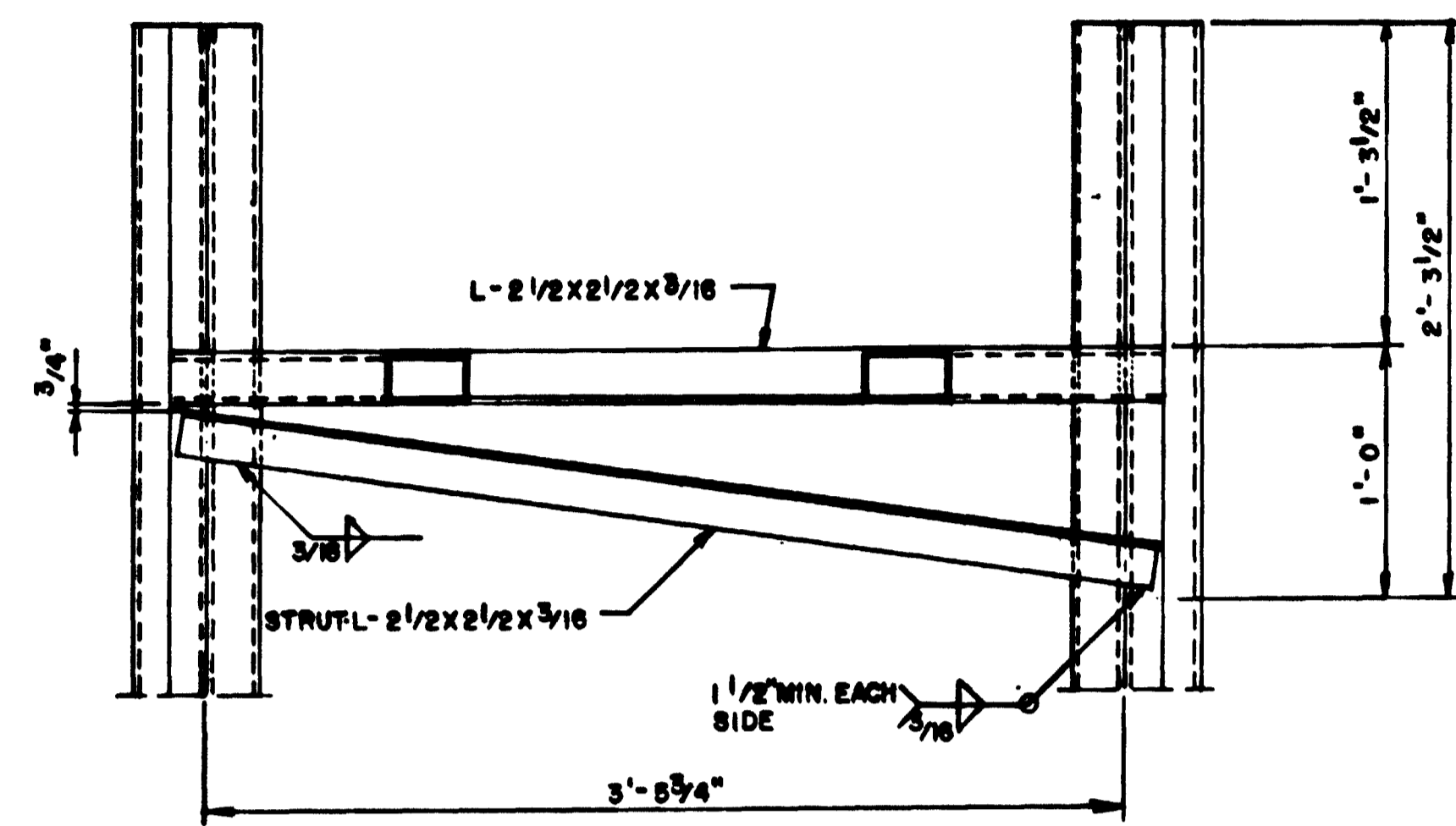
SCALE: 1/4" = ONE INCH

DRAWING NO. **K1 -S-2** M-256-18

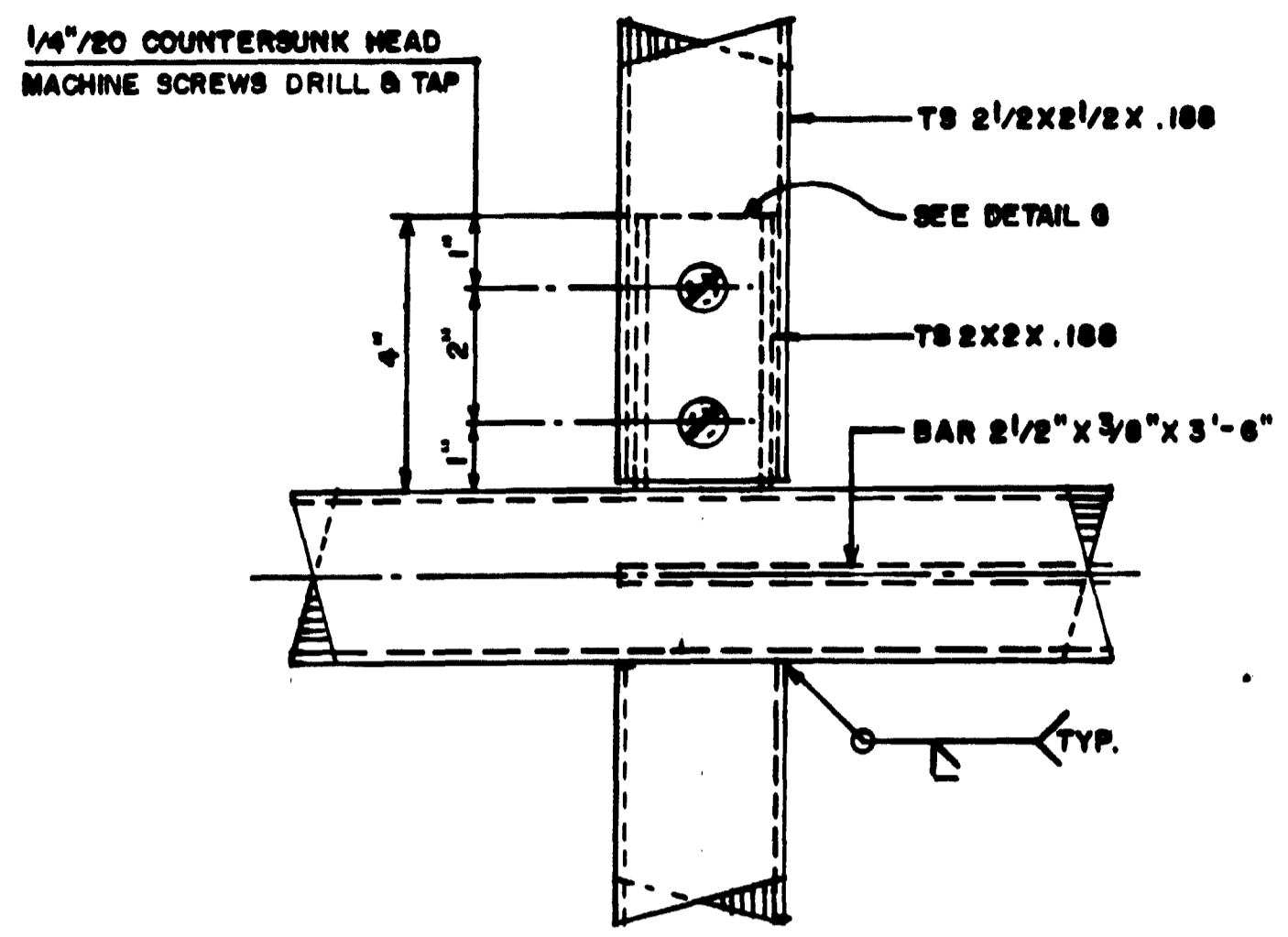
GENERAL STRUCTURAL NOTES

- SUBJECT TO APPROVAL OF THE ENGINEER, LOCATIONS OF ANCHOR BOLTS FOR BASE CHANNEL C 12 X 25 MAY BE MODIFIED TO ADJUST FOR FIELD CONDITIONS.
- CONTRACTOR SHALL PROVIDE "CUT OUTS" IN FLOOR PANELS, SIDE PANELS AND ROOF PANELS AS MAY BE REQUIRED TO ACCOMMODATE OTHERS FACILITIES ASSOCIATED WITH KIOSKS. DETAILS OF "CUT OUTS" SHALL BE WORKED OUT IN COORDINATION WITH OTHERS.
- THE LIMITS OF EXISTING FINISHED FLOORS AT KIOSKS LOCATIONS AS SHOWN ON PLANS, ARE APPROXIMATE. CONTRACTOR SHALL VERIFY IN FIELD EXISTING CONDITIONS. IN CASE OF CONFLICT WITH "AS SHOWN" CONDITIONS, CONTRACTOR SHALL DO ALL WORK AND FURNISH ALL NECESSARY MATERIALS TO MAKE FINISH FLOOR FIT OUTLINE OF KIOSK BASE, AS APPROVED BY THE ENGINEER.

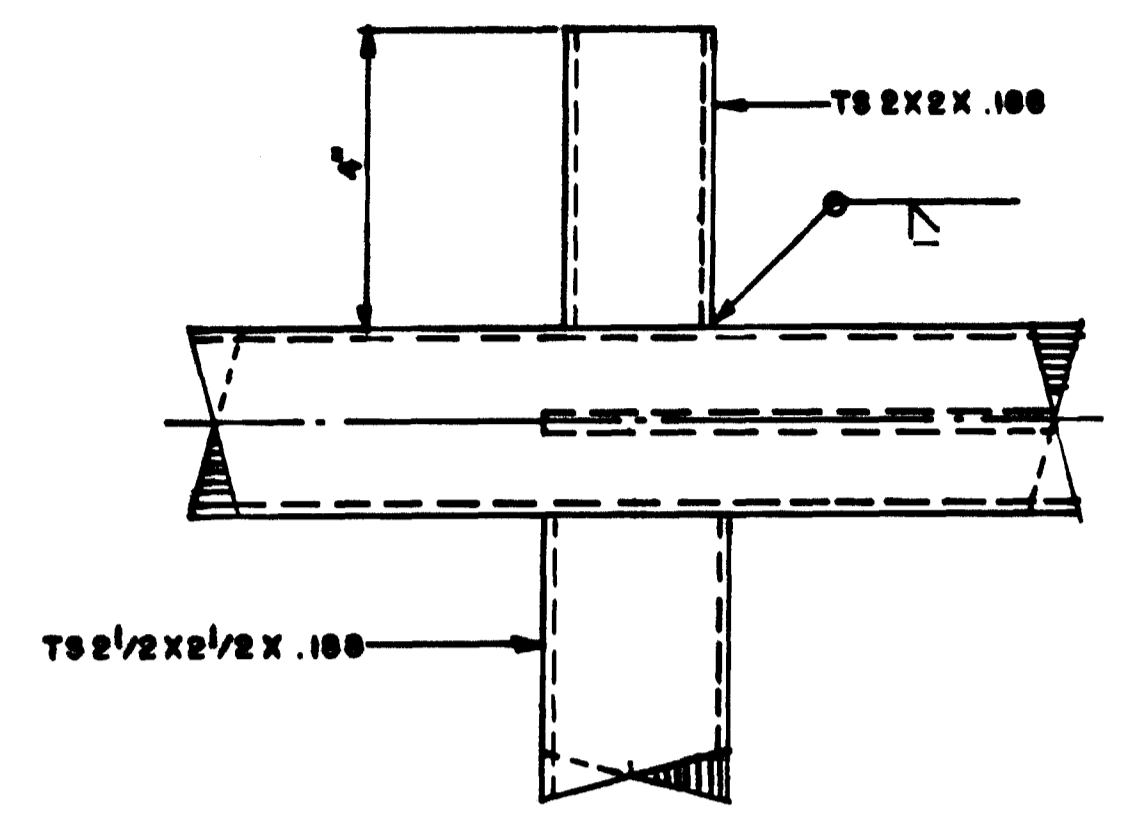
THIS DOES NOT APPLY TO STATIONS WHERE FINISHED TILE FLOORS HAVE NOT BEEN COMPLETED AT KIOSK LOCATIONS.
- ALL CORNERS AT BENDS BETWEEN FREE EDGES OF SHEET METAL SHALL BE SEALED AND FINISHED AS PER APPROVAL OF THE ENGINEER.
- WORK STRUCTURAL DWGS. IN CONJUNCTION WITH ARCHITECTURAL, MECHANICAL, ELECTRICAL AND SYSTEMS DWGS.
- FOR IDENTIFICATIONS OF TYPE A, AND TYPE B KIOSKS, SEE ARCHITECTURAL DWGS.
- SEE DWG. TC-1 FOR DETAILS OF CUTOUTS FOR COMMUNICATION AND POWER CABLING.
- ALL CORNERS OF 3/16" TOP PLATE OF FLOOR AND ROOF PANELS SHALL BE SECURELY HE.D DOWN WITH TWO 1/4" #20 MACHINE SCREWS AT 4" O.C. EACH SIDE. PROVIDE INTERMEDIATE SCREWS AT 8" O.C. (MAX.).
- CUT OUTS IN ROOF PANELS FOR AIR CONDITIONING DUCTS SHALL BE LINED WITH 1/2" JOINT FILLER.
- DESIGN LOADS
 - KIOSK FLOOR
 - LIVE LOAD 70 PSF
 - ASSUMED EQUIPMENT DEAD LOAD 75 PSF
 - KIOSK ROOF
 - LIVE LOAD 50 PSF OR TWO CONCENTRATED LIVE LOAD 200 LBS. EACH APPLIED @ 2'-6" OR MORE APART.
 - WEIGHT OF AIR CONDITIONING UNIT NOT TO EXCEED 450 LBS.
 - HORIZONTAL LIVE LOAD 30 PSF.



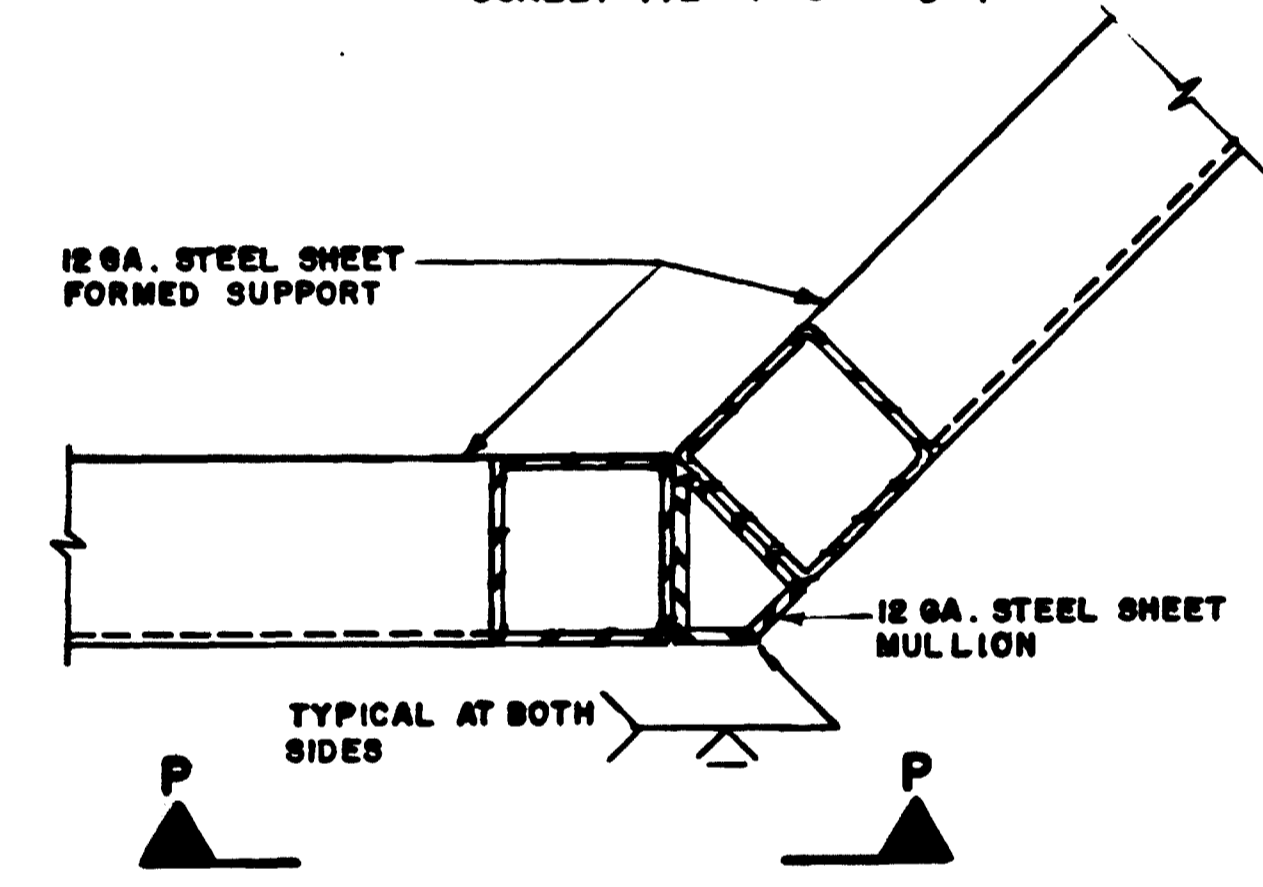
SECTION 9
SCALE: 1/2"=1'-0" S-1



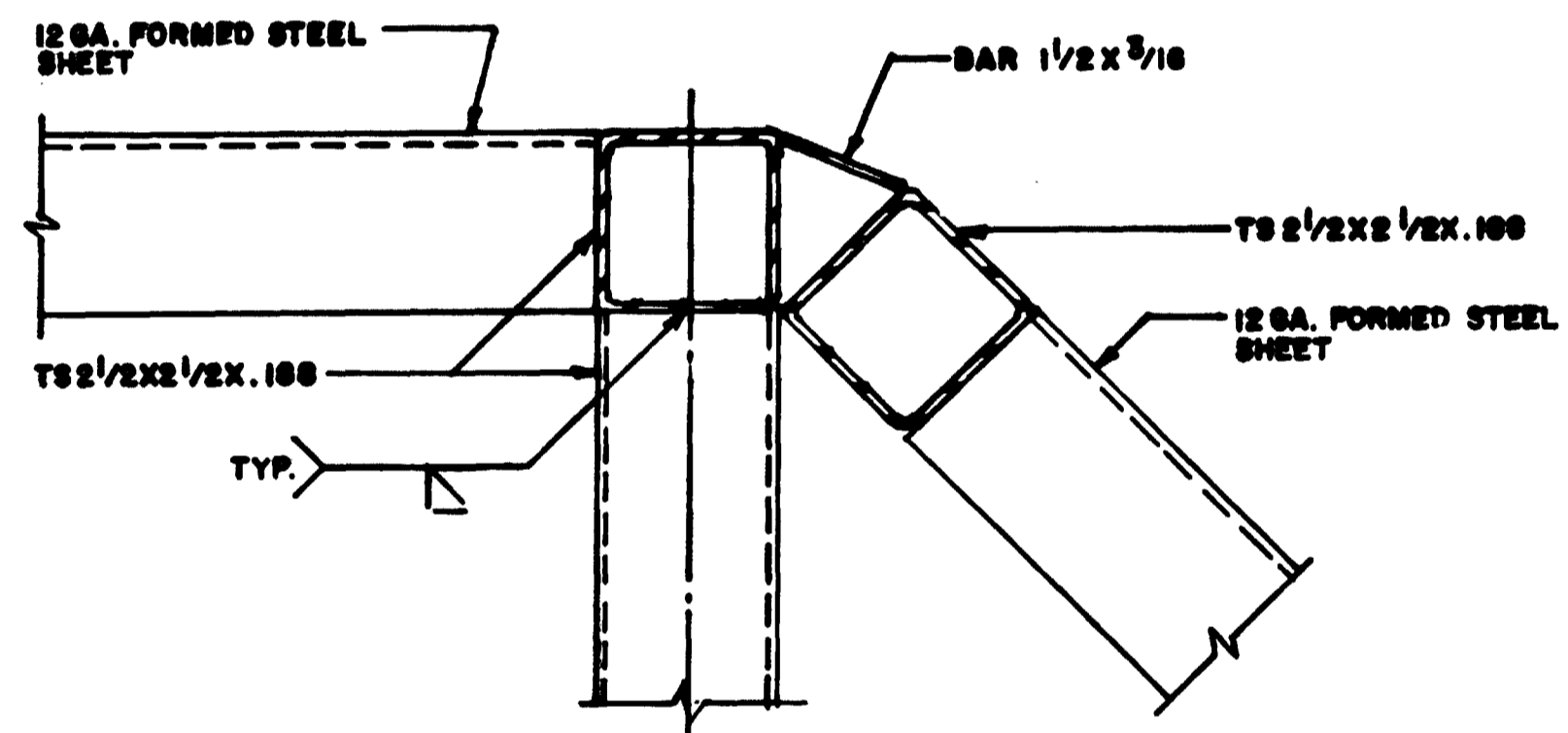
DETAIL F
SCALE: 3/8"=1" S-1



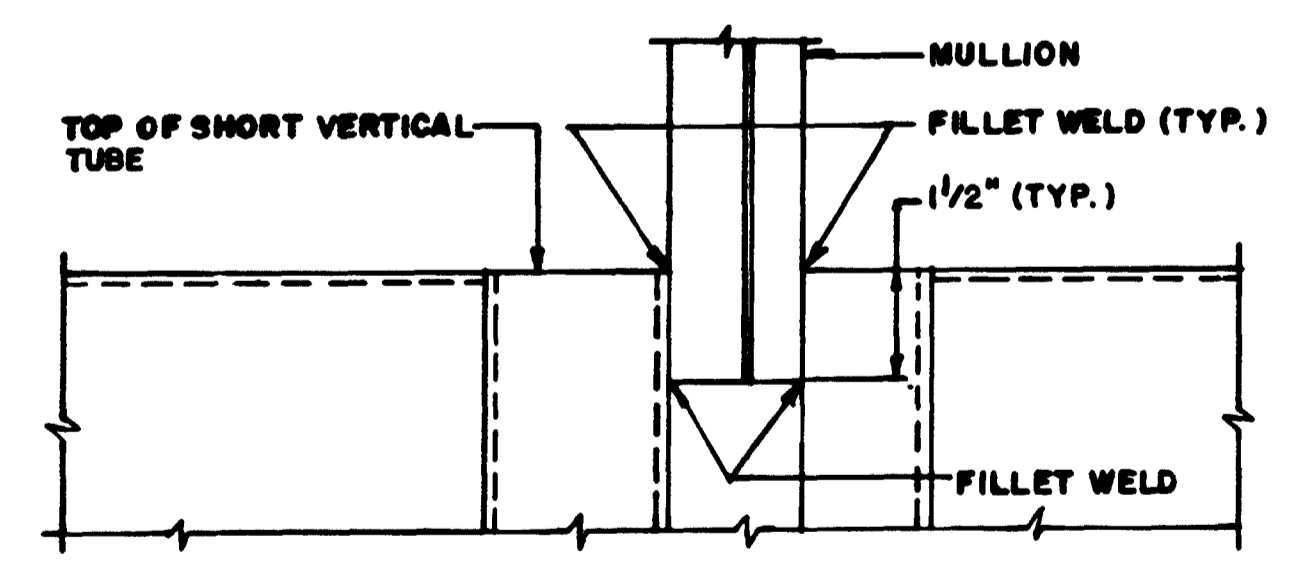
DETAIL G
SCALE: 3/8"=1" S-1



SECTION A-A
SCALE: 3/8"=1" S-1

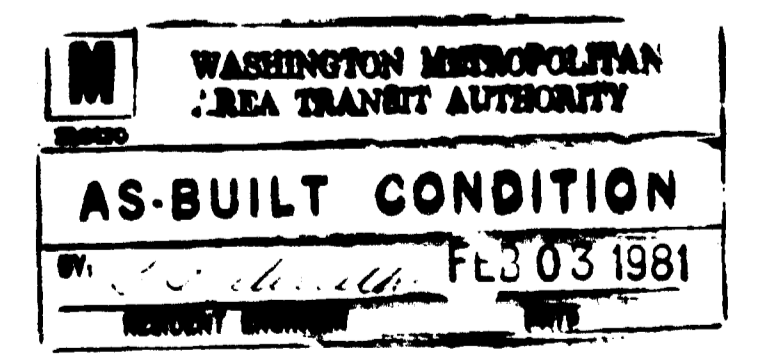


DETAIL D
SCALE: 3/8"=1" S-1



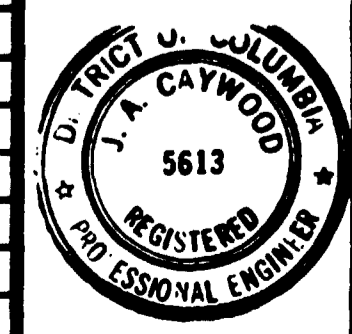
VIEW P-P

NOTE: DETAIL SIMILAR AT TOP END OF MULLION.



DESIGNED	K. SIMON	4/76
DRAWN	L. SETTLES	4/76
CHECKED	R. MOCARSKI	4/76
APPROVED	<i>[Signature]</i>	4/76

REFERENCE DRAWINGS		REVISIONS		
NUMBER	DESCRIPTION	DATE	BY	DESCRIPTION



WASHINGTON METROPOLITAN AREA TRANSIT AUTHORITY

DE LEUW, CATHER & COMPANY
SECTION DESIGNER

DE LEUW, CATHER & COMPANY
GENERAL ENGINEERING CONSULTANT

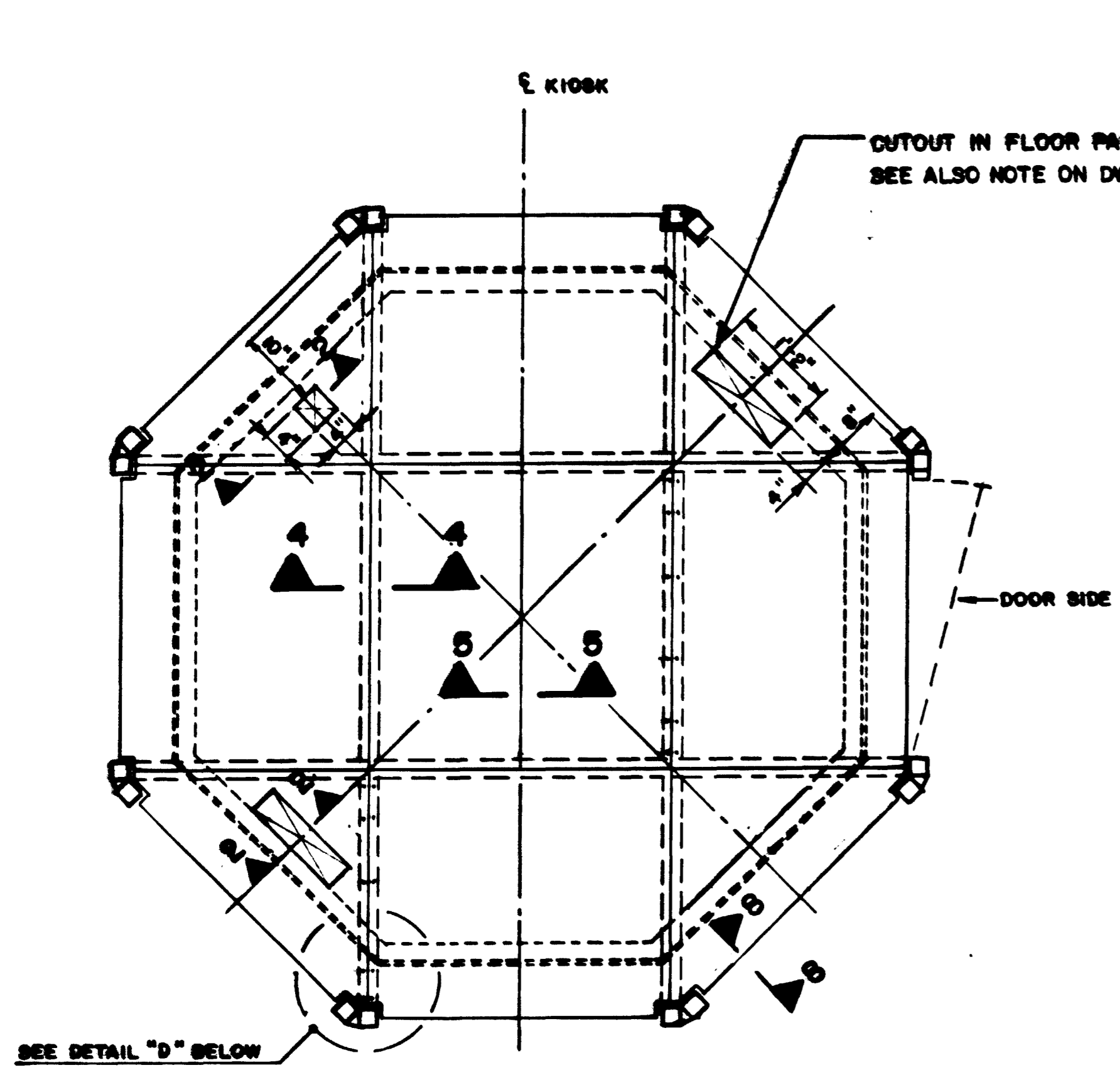
HARRY WEESE & ASSOCIATES
GENERAL ARCHITECTURAL CONSULTANT

SUBMITTED *[Signature]* APPROVED *[Signature]*

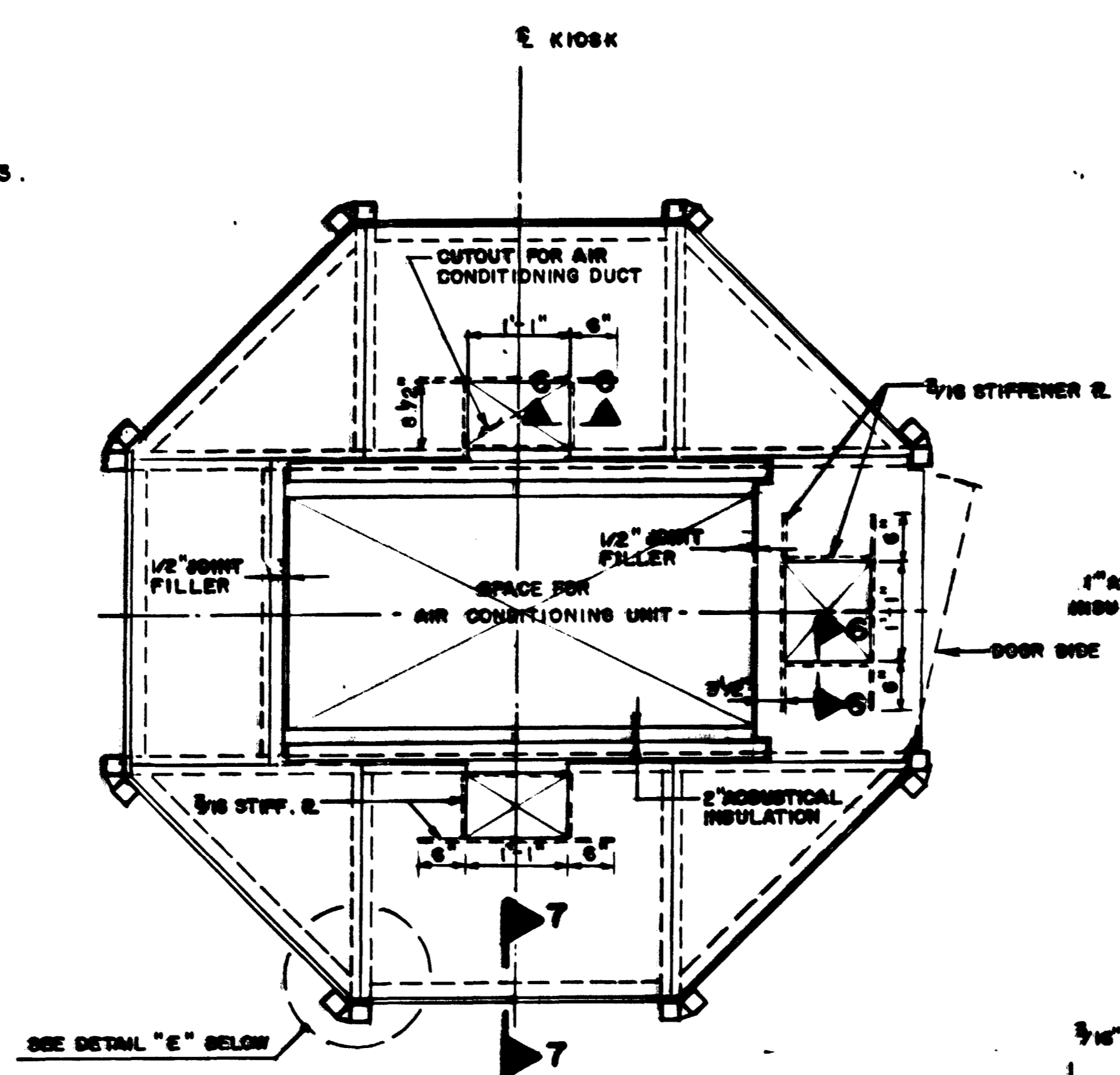
KIOSK

STRUCTURAL NOTES AND SECTIONS

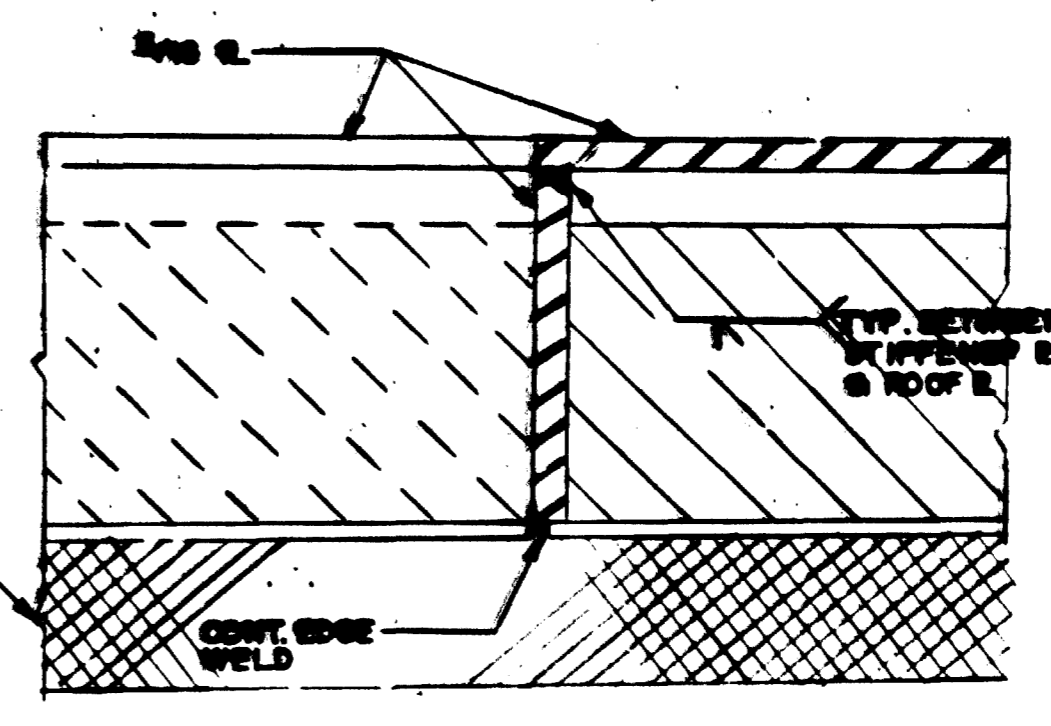
SCALE AS NOTED DRAWING NO. KI-S-3 M-256-19



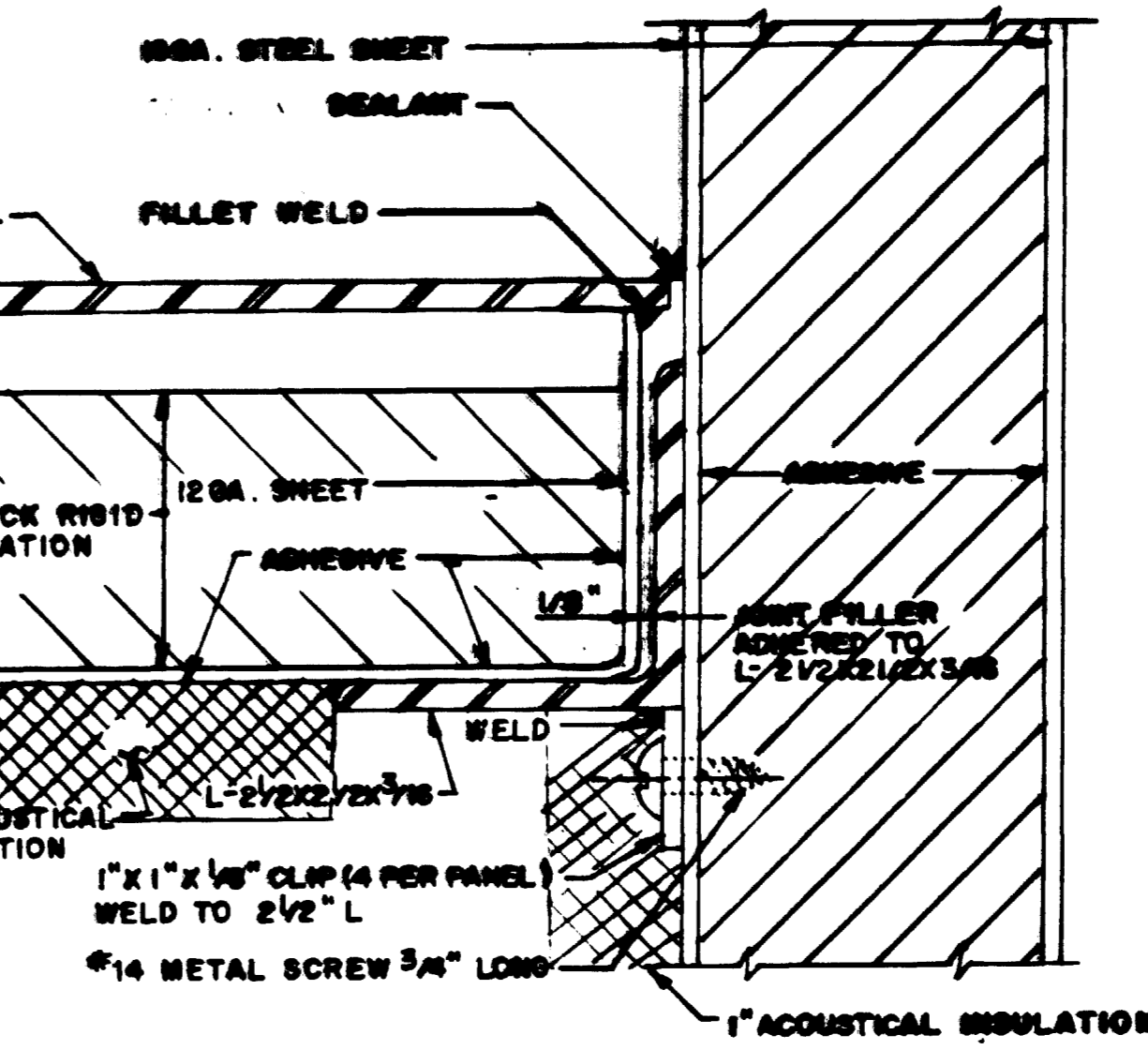
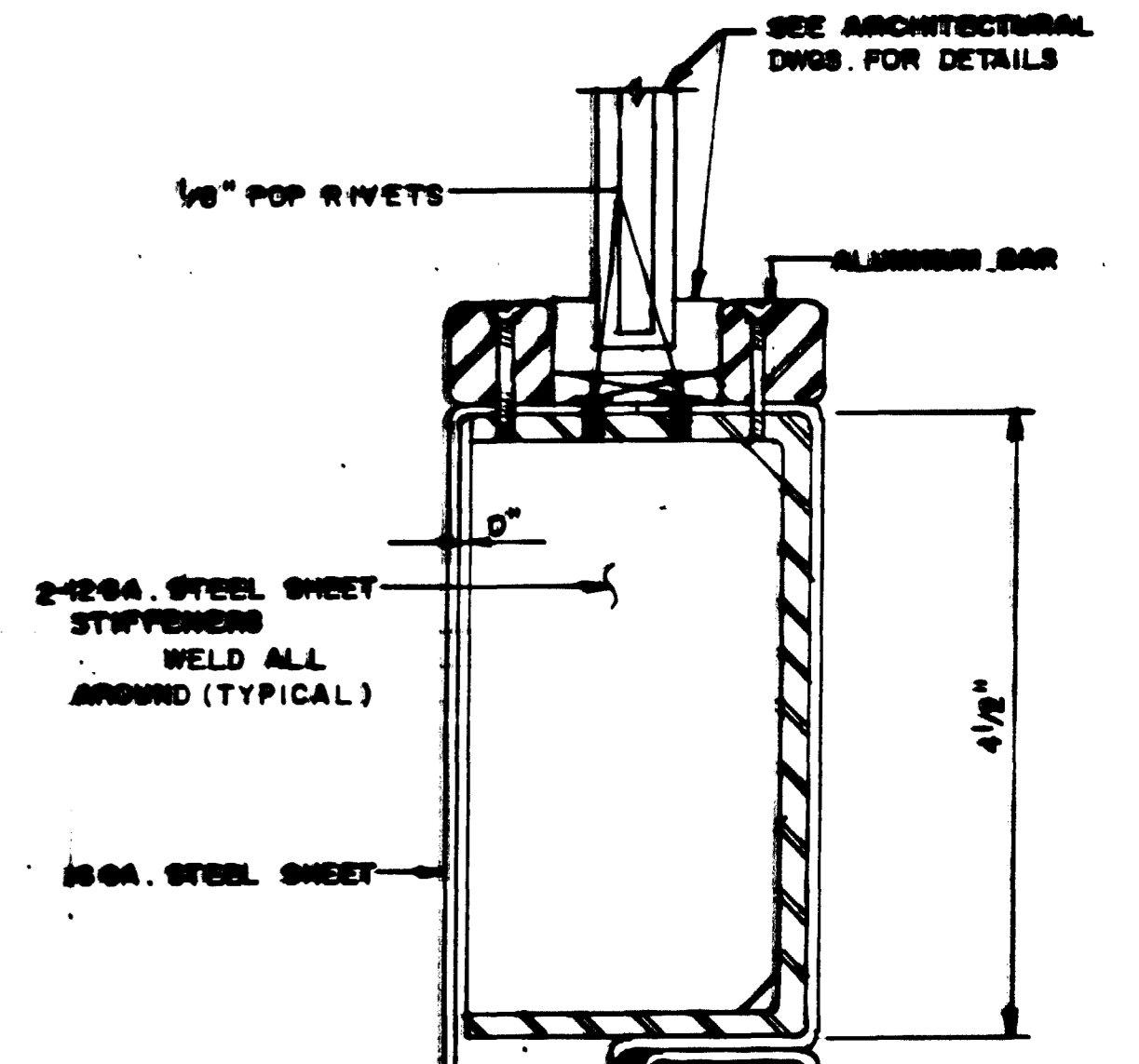
FLOOR PLAN
SCALE: 3/4" = 1'-0"



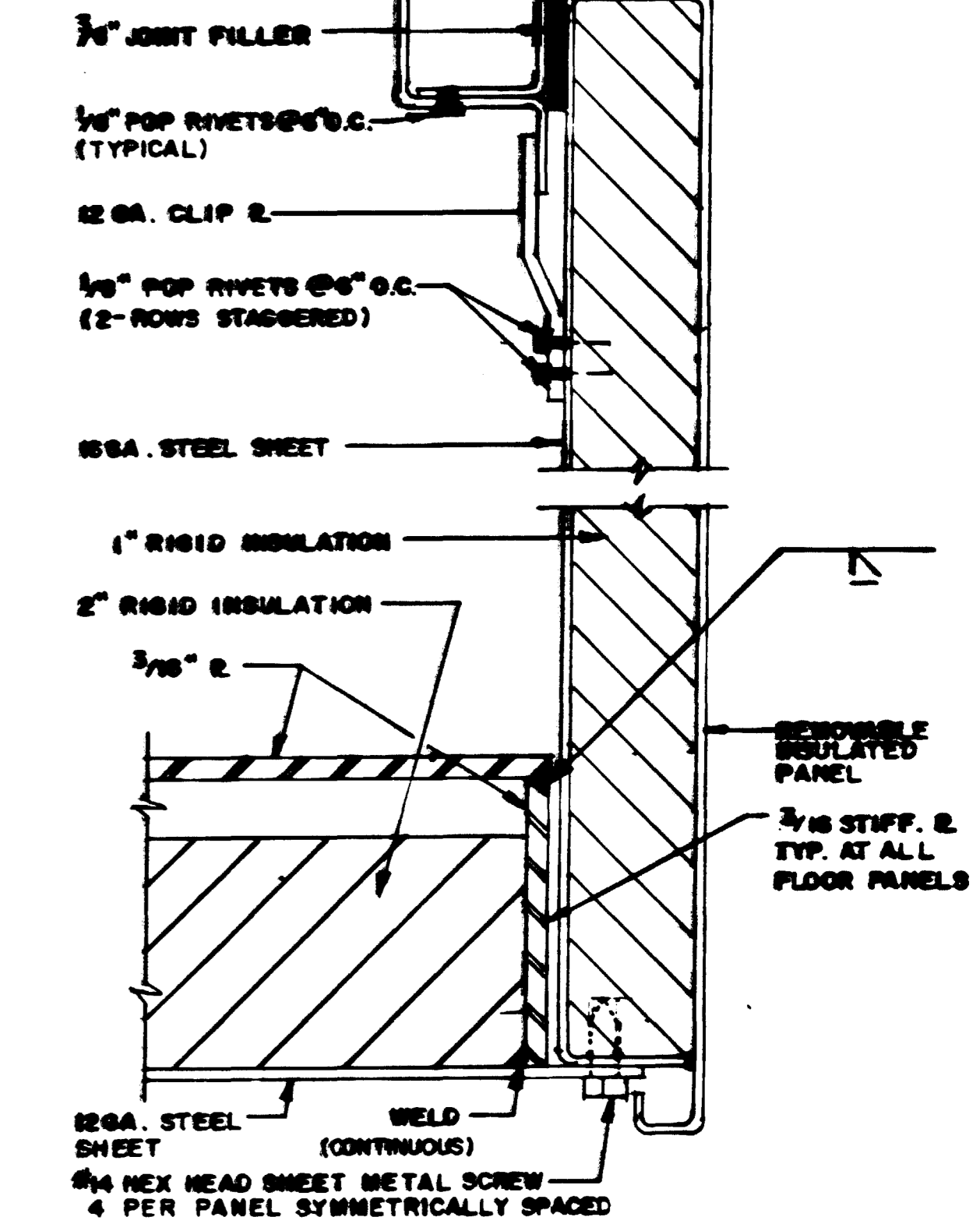
ROOF PLAN
SCALE: 3/4" = 1'-0"



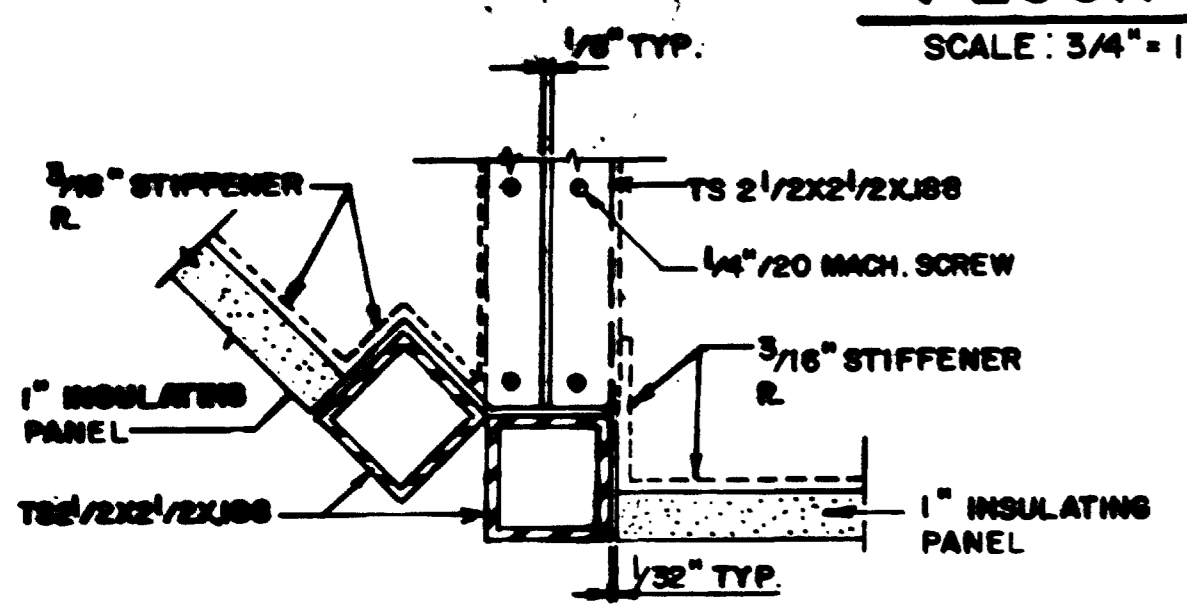
SECTION 6
SCALE: 3/4" = 1"



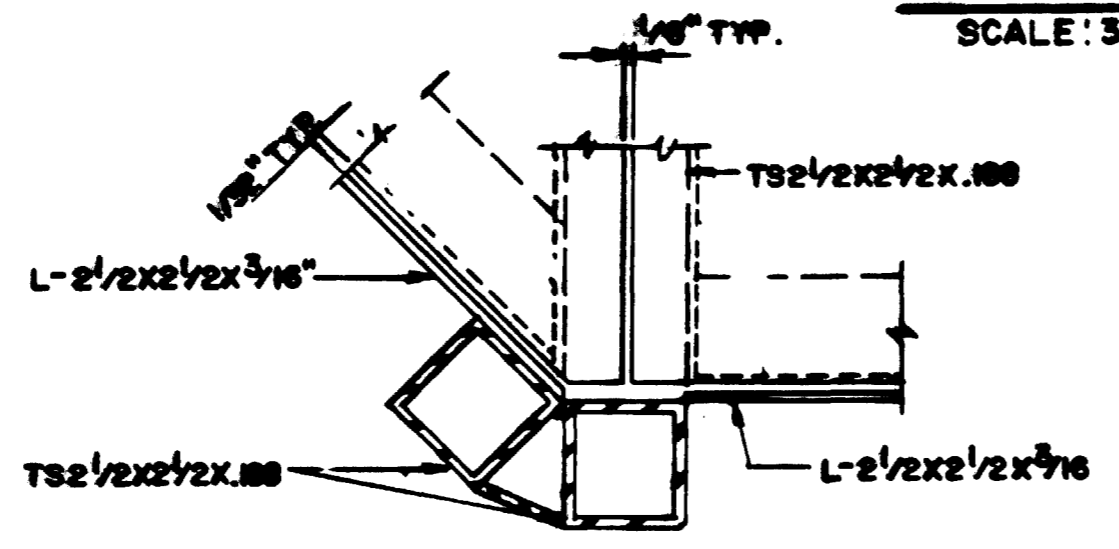
SECTION 7
SCALE: 3/4" = 1"



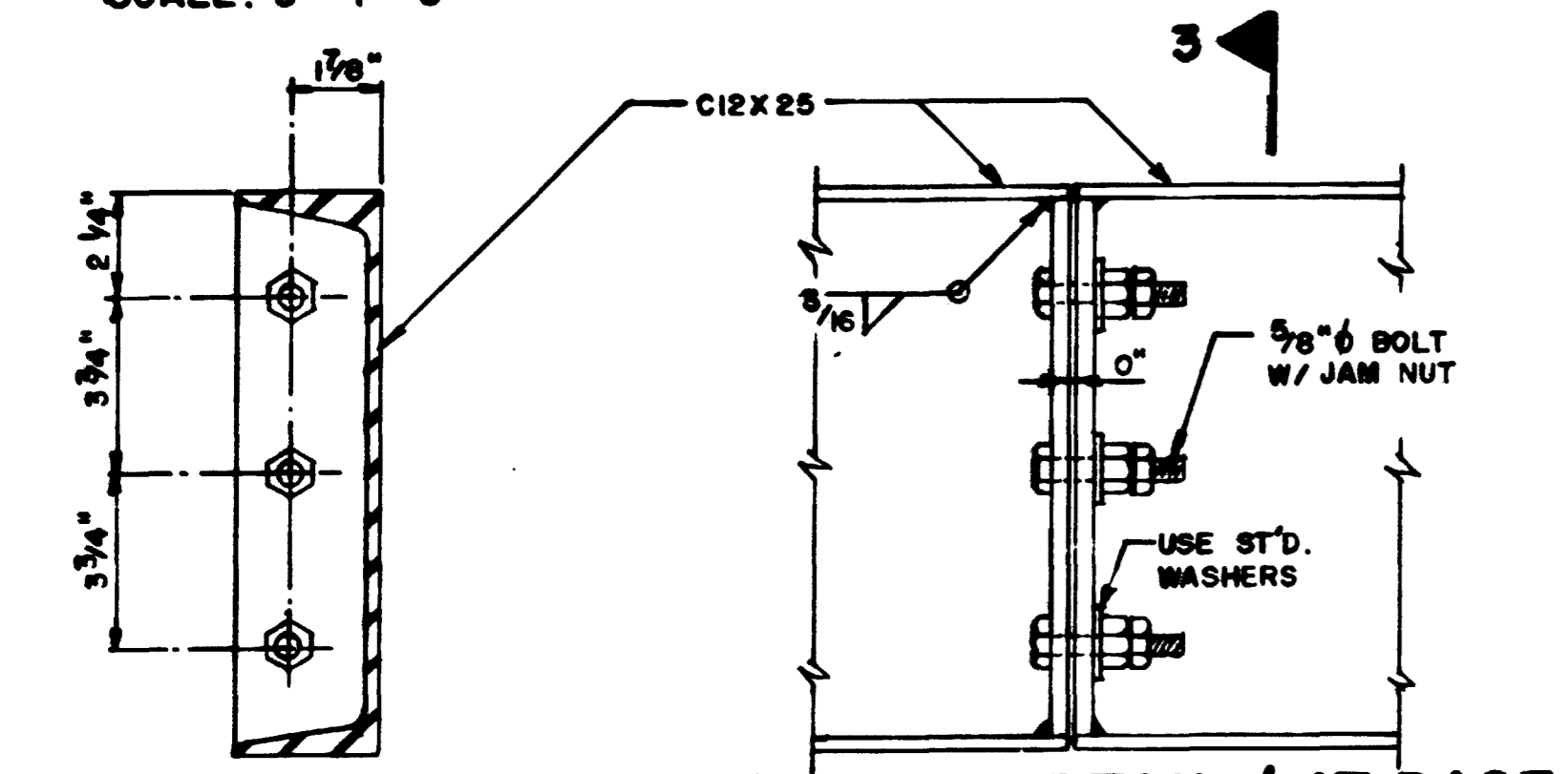
SECTION 8
SCALE: 3/4" = 1"



DETAIL "D"
SCALE: 3" = 1'-0"

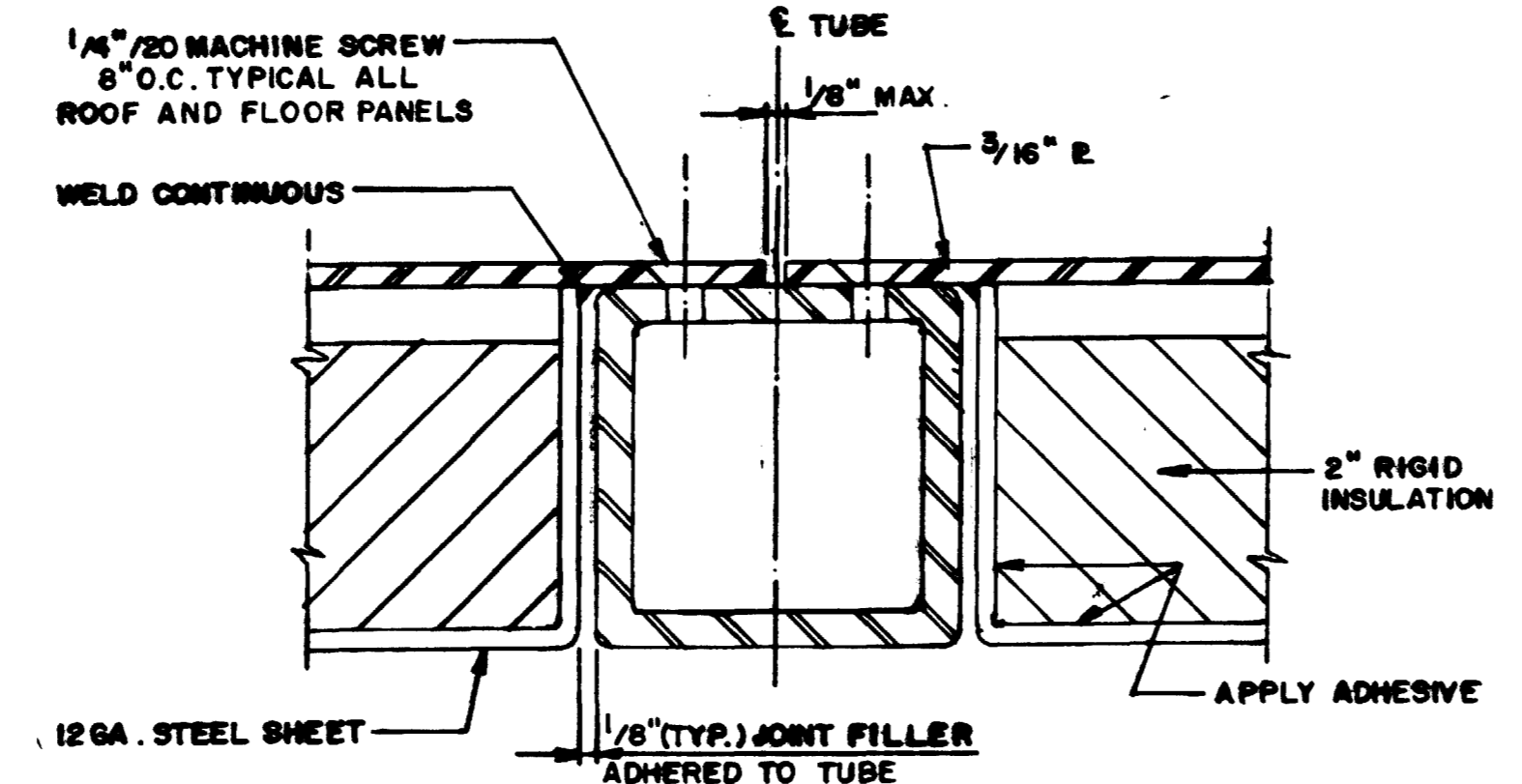


DETAIL "E"
SCALE: 3" = 1'-0"

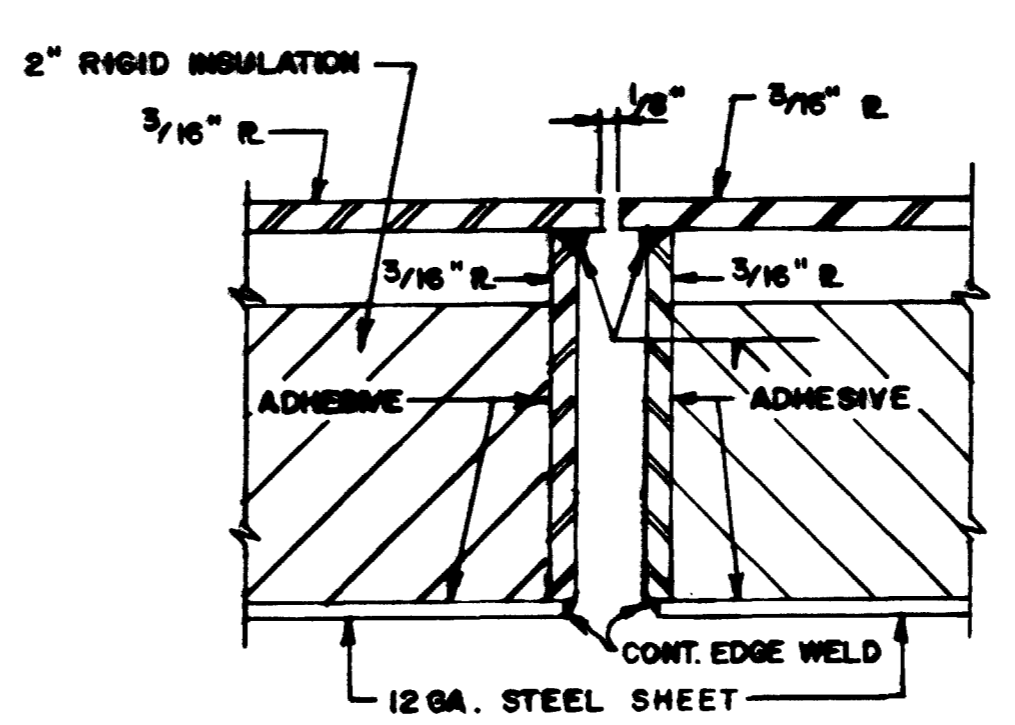


SECTION 3
SCALE: 3" = 1'-0"

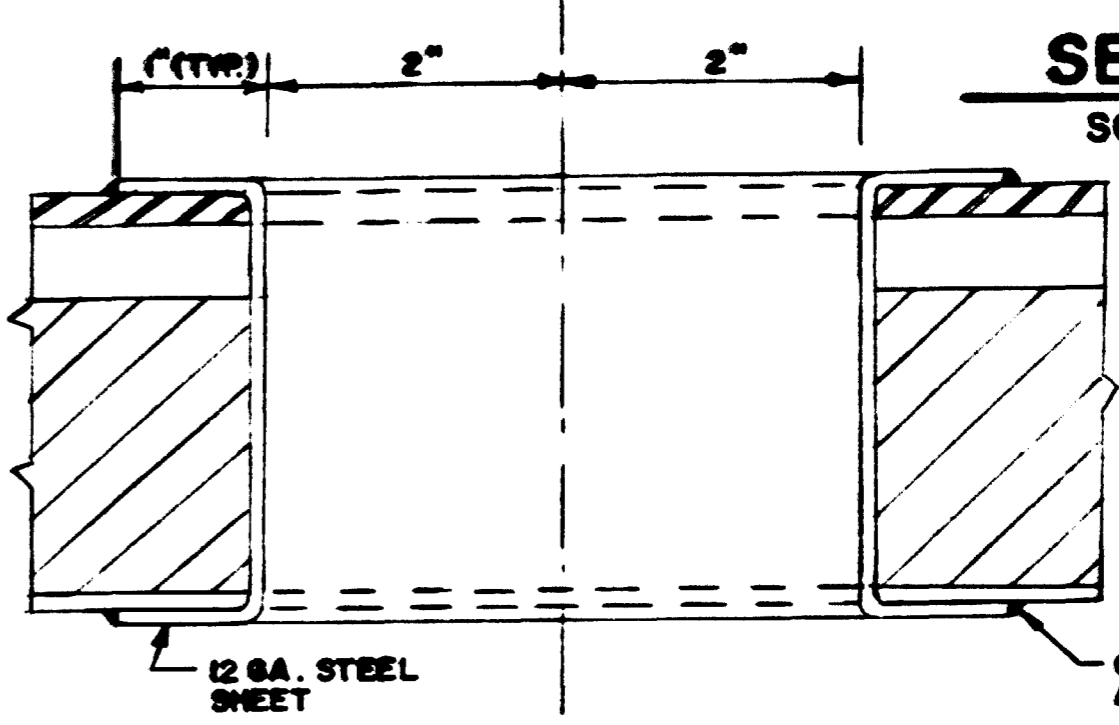
SPLICE DETAIL AT BASE CHANNEL 3
SCALE: 3" = 1'-0"



SECTION 4
SCALE: 3/4" = 1"



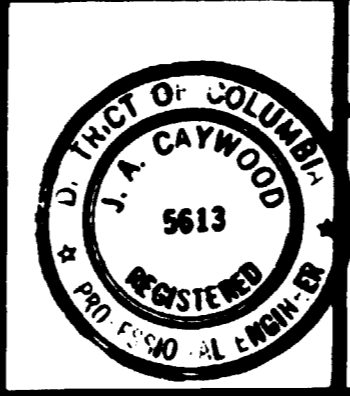
SECTION 5
SCALE: 3/4" = 1"



SECTION 2-2
SCALE: 3/4" = 1"

WASHINGTON METROPOLITAN AREA TRANSIT AUTHORITY
AS-BUILT CONDITION
FEB 03 1981

DESIGNED	DATE	REFERENCE DRAWINGS		REVISIONS	
		NUMBER	DESCRIPTION	DATE	BY
K. SINGH	4/76				
L. SETTLES	4/76				
R. BOCARSKI	4/76				
APPROVED	DATE				



WASHINGTON METROPOLITAN AREA TRANSIT AUTHORITY

DE LEUW, CATHER & COMPANY
SECTION DESIGNER

HARRY WEESE & ASSOCIATES
GENERAL ARCHITECTURAL CONSULTANT

SUBMITTED *John Raymond*

KIOSK
FLOOR & ROOF PLANS AND SECTIONS

SCALE: 1/4" = 1'-0" & AS NOTED

DRAWING NO. **K1-S-4**

M-256-20